

# 130 t TELESCOPIC CRAWLER CRANE



# 6133E

## The largest.

The 130 t telescopic crawler crane is the perfect combination of maximum performance and easy handling.

As the largest telescopic crane in the range, it combines high load capacity and lift reach with maximum flexibility and maneuverability on construction sites thanks to its stability. Especially popular in prefabricated concrete construction as well as in industrial and special civil engineering, the flexible machine concept can also demonstrate its strengths in your demanding large-scale project.

### On site and ready to use fast

The machine's self-assembly system means it can be installed in a short time without the use of an auxiliary crane. The removable crawler tracks ensure low transport width - alternatively, it can also be transported with its ballast.

## Maintenance & Service

This is made easy with standard components and easy-to-access maintenance and service points.

## Well equipped

Maximum main boom length of 52 m thanks to 6-section pin boom. The selected telescopic section can also be extended further under partial load.

## More variety

Always work optimally with load hook, 8 m fly jib, fly jib extension or heavy-duty jib. With the optional 15 m fly jib, boom lengths of up to 67 m are possible.

## Ultimate ease of use

With the 20° tiltable comfort Maxcab, the back-friendly comfort seat, the adjustable armrests and the optimally arranged resonant control elements



Telescopic crawler crane with 130 t load capacity

# Advanced. The E Series



## LONG SERVICE LIFE, HIGH VALUE RETENTION

- Reliable and powerful thanks to its robust construction and high-quality components.

## SOPHISTICATED, STATE-OF-THE-ART TECHNOLOGY

- In the 5th generation – decades of experience in designing and constructing telescopic cranes



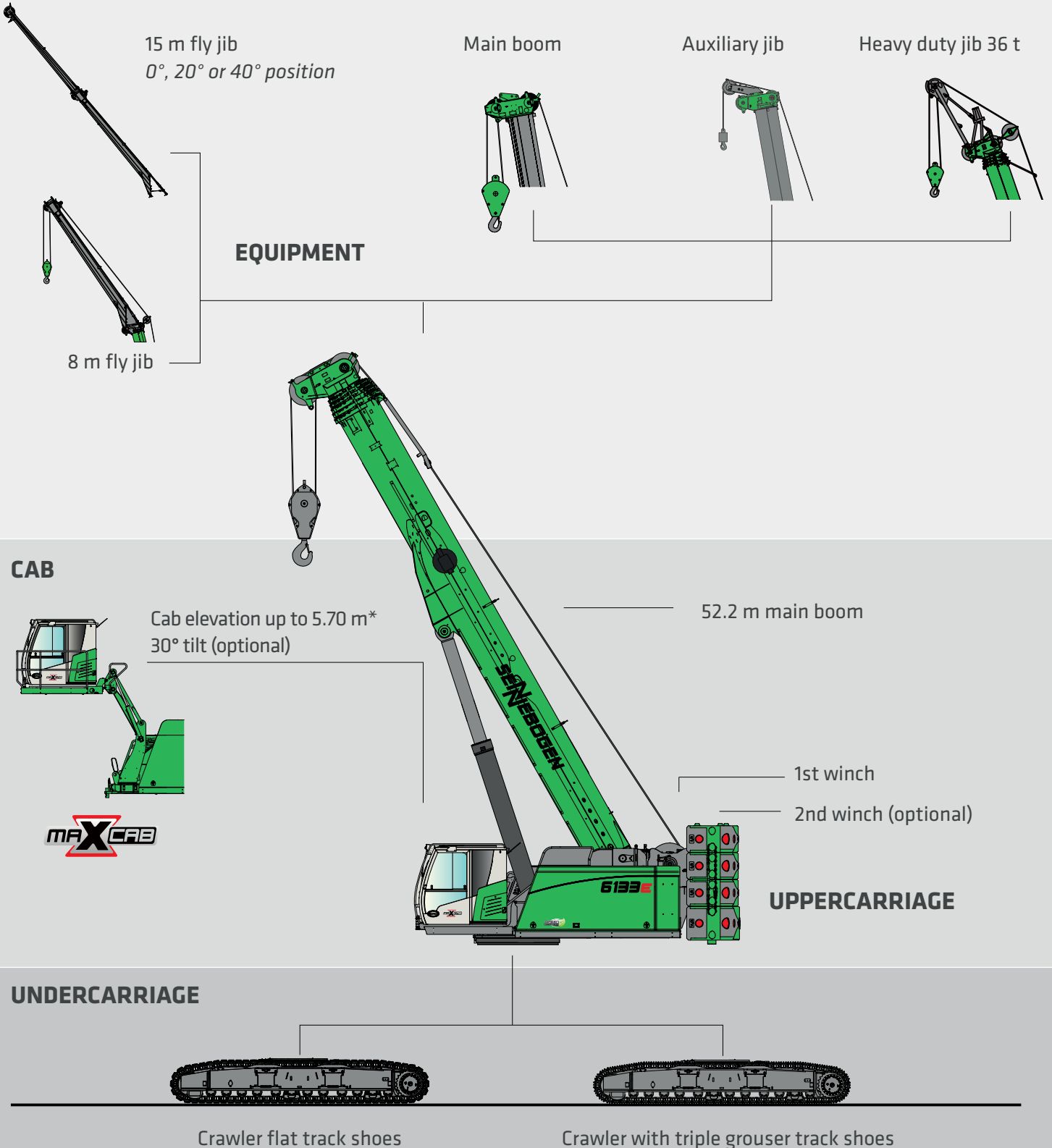
## SIMPLE TO MAINTAIN AND SERVICE

- Technology that can be mastered and no over-engineering, easy access to all components

## ENVIRONMENTALLY-FRIENDLY DRIVE TECHNOLOGY

- State-of-the-art engine, drive and emission systems in line with the latest technology standards (stage V)
- Large-scale pipes and valves for maximum efficiency

# A MODULAR DESIGN. OPTIMUM EQUIPMENT OPTIONS.





# 67m

Boom length\*\*

## OUTSTANDING WORKING HEIGHT. WITH THE PIN BOOM

- Well equipped: Maximum main boom length of 52 m thanks to 6-section pin boom. The selected telescopic section can also be extended further under partial load.
- Simple and user-friendly: implement optimum load capacities over the entire working range.
- Steep things: can work on inclines of up to 4°.\*
- Comfortable work area: Achieve working heights and radii of more than 60 m with the optional 8 m fly jib and 15 m fly jib extension.

\* with reduced load charts (optional)

\*\* with 15 m fly jib



Lifting and moving prefabricated concrete parts; Germany

## PRECISE AND STRONG. WITH MAXIMUM FLEXIBILITY.

- Pick & Carry: Can travel with loads of up to 100 %
- High stability and optimum maneuverability even on narrow construction sites thanks to track width of 5.40 m
- Excellent view when lifting loads thanks to the tiltable cab which comes as standard
- Coverage of a large work area and flexibility thanks to a wide range of equipment options





Precise loading thanks to maximum stability  
with telescoping crawler undercarriage; Singapore

**6133E**

**EVERYTHING IN VIEW**

tiltable up to

**20°**

as standard

### **TAKE FULL CONTROL WITH OUR JOYSTICKS**

- Joysticks on resonant, seat-mounted consoles
- Comfortable grip thanks to ergonomic design
- Shortcuts for direct and sensitive control of all functions
- Easy to use thanks to the optimized design of buttons and switches

 **GERMAN  
DESIGN  
AWARD  
WINNER  
2018**



BETTER VIEW.  
BETTER SAFETY.  
MAXIMUM COMFORT.



THE BEST  
IN ITS CLASS.

- Excellent all-round and upward view thanks to large window panes, optionally with FOPS guard and bullet proof glass
- Safe and comfortable access thanks to the tried-and-tested sliding door incl. sliding window
- Work without fatigue thanks to the back-friendly comfort seat, adjustable armrests and ergonomic, resonant controls
- Automatic heating/air conditioning with optimum air flow for a pleasant indoor climate all year round
- Noise reduced through sound-absorbing materials and design solutions
- Option for cab to hydraulically elevate up to an eye level of 5.70 m and tilt by up to 30°
  - Radio with Bluetooth®

# FLEXIBLE TRANSPORT. INDEPENDENT SELF-ASSEMBLY.

It is not just with procurement and operating costs that companies can make cost-effective decisions and savings. Astute contractors know that simple and economical transportation between construction sites is an important factor, too.



### Cost-efficient

Once the crawler carriers and ballast have been removed, the transport width is only 3.0 m



### Flexible

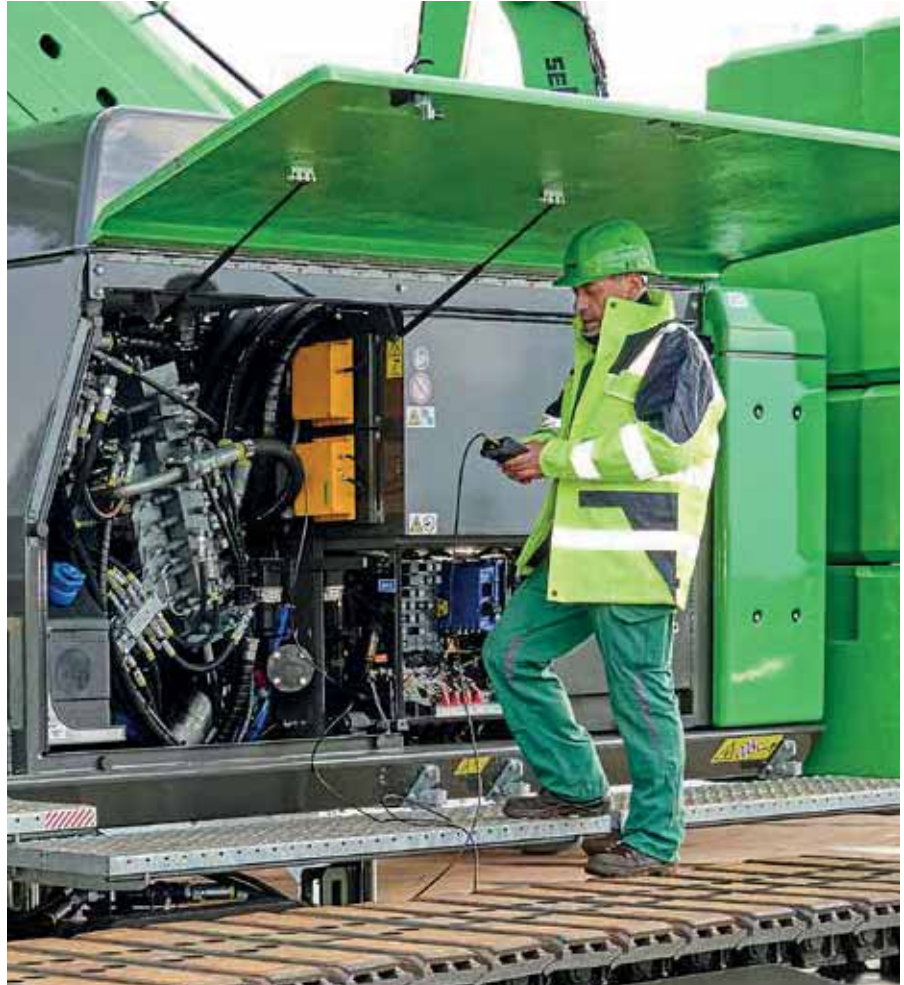
The machine can be transported with or without crawler carriers, providing full transport flexibility



### Quick

The machine is ready for use on site in a short time thanks to the Starlifter telescopic undercarriage's innovative self-assembly system and the self-mounting counterweight.

# MAINTENANCE AND SERVICE. MAKE IT EASY ON YOURSELF.



The SENCON control system supports you with diagnostics and makes troubleshooting easier. So your machine is back in action more quickly.

All maintenance and service points are arranged clearly and easily accessible. The clear labeling of components makes finding your way around easy.

## KEEP IT SIMPLE. WITH TECHNOLOGY THAT CAN BE MASTERED.



Reliable and practical technology makes life easier. Where electronics add no value, we rely on hydraulics and electrical systems.



We make you happy, not reliant. With cost-effective components and fewer process steps, you can take care of the machine on your own.



At the central electrical distribution board, clearly arranged standard components simplify control and troubleshooting.

## TECHNICAL DATA, EQUIPMENT

### MACHINE TYPE

MODEL (TYPE) 6133 Crawler

### ENGINE

TYPE Stage V:  
Cummins B6.7 FR95885  
Rated power: 168 kW/2200 rpm  
Operating point standard: 186 kW/2000 rpm  
Operating point ECO: 188 kW/1850 rpm

Stage IIIa:  
Cummins QSB6.7 FR96045  
Rated power: 164 kW/2000 rpm  
Operating point standard: 164 kW/2000 rpm  
Operating point ECO: 170 kW/1850 rpm

both:  
direct injection, turbocharged, charge air cooling, reduced emissions

COOLING water-cooled

DIESEL FILTER with water separator and heater

AIR FILTER Dry filter with integrated pre-separator, automatic dust discharge, main element and safety element, contamination indicator

FUEL TANK 450 l

DEF TANK 45 l

ELECTRICAL SYSTEM 24 V

BATTERIES 2 x 155 Ah

OPTIONS Electric fuel pump

### UPPERCARRIAGE

DESIGN Torsion-resistant box design, precision crafted, steel bushings for boom mountings. Service-friendly design, engine installed in the longitudinal direction

ELECTRICAL SYSTEM central electrical distributor, battery disconnect switch

LIGHTING LED headlights for optimal lighting of the work area

COOLING SYSTEM 3-circuit cooling system with high cooling output, electrically regulated fan drive for cooling water, charged air and oil

SAFETY Camera monitoring of the area to the rear and the right side

Uppercarriage railing

OPTIONS Additional LED headlights

2 warning beacons at the rear

Additional cameras

Sea climate resistant coating as corrosion protection

Customized paint finish

Low temperature package

Automatic central lubrication for boom attachment point, luffing cylinder, live ring track and winch drum bearings

Pinion tooth lubrication



# TECHNICAL DATA, EQUIPMENT

## HYDRAULIC SYSTEM / HYDRAULICS



Pump unit attached directly to diesel engine, load-sensing/ LUDV hydraulic system, electro-hydraulic work functions, load limit control, axial piston variable displacement pump. Multiple work functions can be controlled precisely simultaneously and independently from each other thanks to the independent, proportional allocation of the pump flows.

DELIVERY RATE	up to 500 l / min
OPERATING PRESSURE	up to 330 bar
FILTRATION	High-performance filtration with long change interval
HYDRAULIC TANK	900 l
CONTROL SYSTEM	Proportional, precision hydraulic control of the movements, 2 servo joysticks for work functions, additional functions via switches and foot pedals – arranged clearly and ergonomically
SAFETY	Hydraulic circuits with safety valves Pipe-fracture safety valves for luffing cylinder and telescopic cylinder
OPTIONS	Bio-oil filling SENNEBOGEN HydroClean micro-filter system (3 µm) with water separator Hydraulic tank preheating

## SLEWING DRIVE



GEARBOX	2 compact planetary gears with bent-axis hydraulic engine, integrated brake valves
SLEW BRAKE	Spring-loaded multi-disk brake
SLEWING RING	Large-scale, externally geared 1-row slewing ring
SLEWING SPEED	0-2 rpm, variable

## CAB



CAB TYPE	Maxcab, tiltable 20°
CAB FEATURES	Comfortable operator cab with sliding door incl. sliding window, vibration damper, tinted safety glass, opening windshield, skylight, front and rear windshield wipers, 12 V/ 24 V connections, 2 floodlights integrated into the front of the roof. Air-sprung comfort operator's seat with seat heating and headrest. Sunblind for skylight. Slew brake via foot pedal.

OPTIONS	Cab adjustment type E270, hydraulically variable elevation up to 2.7 m and hydraulic backwards tilting by approx. 30°, includes platform next to cab with railing (bolted). Auxiliary heating system with timer Activated-carbon filter for cab Bullet proof windshield Bullet proof skylight FOPS protective roof grating Radio with USB and SD connections, MP3 and Bluetooth functions Work area limitation
---------	---

Option: elevating cab; type E270



## TECHNICAL DATA, EQUIPMENT



### EQUIPMENT

**BOOM** 6-section telescopic boom made from high-strength fine-grain steel, consisting of a basic boom and 5 telescopic sections, 1 telescopic cylinder, can be hydraulically telescoped under partial load. Length: 12.3 m to 52.2 m; tipping from 0-80° in 50 seconds; complete telescoping in 7 mins.

**CRANE SAFETY** Latest generation of load moment monitoring with event recorder, clear operations panel showing all important data via the SENCON display, lifting limit switch, cable exit protection, pressure relief valves and pipe fracture protection

**CYLINDERS** Hydraulic cylinders with high-quality sealing and guide elements

- OPTIONS**
- 8 m fly jib, load capacity 14.9 t at 0°, tiltable (0°, 20°, 40°), can be set up without additional equipment, can be bolted to basic boom when not in use
  - Fly jib extension to 15 m, 7 m extension, load capacity 5.8 t at 0°, tiltable (0°, 20°, 40°), can be bolted to basic boom when not in use
  - Auxiliary jib: 12.5 t load capacity, 1-strand
  - 36 t heavy-duty jib
  - Customized paint finish
  - Emergency unit
  - Radio remote control
  - Work area limitation, freely programmable
  - Additional load charts accepted for 4° incline position
  - SENtrack telemetry system



## TECHNICAL DATA, EQUIPMENT

### UNDERCARRIAGE



DESIGN	Crawler undercarriage T119/540 with removable crawler carriers
DRIVE	Travel drive with axial piston hydraulic engine, directly attached automatically functioning brake valve and compact planetary gears on each running gear side
PARKING BRAKE	Spring-loaded multi-disk brake
TRAVELING GEAR	Maintenance-free B8b tractor running gear with hydraulic track tension. Running gear with 900 mm triple grouser shoes
SPEED	0 - 2.5 km/h
OPTIONS	900 mm flat track shoes

### WINCH



The winches are driven via high-pressure-regulated adjustable hydraulic engines, so there is always optimal pulling force speed control. Hydraulic lowering brake valves for sensitive, wear-free braking. Strong, oil bath, planetary gear, low-maintenance.

Holding brakes are spring-loaded, maintenance-free, low-wear multi-disk brakes operating in oil bath, oil-cooled

120 kN tensile force (3rd position), cable speed 0-115 m/min., cable diameter 26 mm, max. cable length 210 m

**SAFETY BRAKE** Spring-loaded multi-disk brake

**OPTIONS** 2nd crane winch: 120 kN tensile force (3rd position), cable speed 0-115 m/min., cable diameter 26 mm, max. cable length 210 m

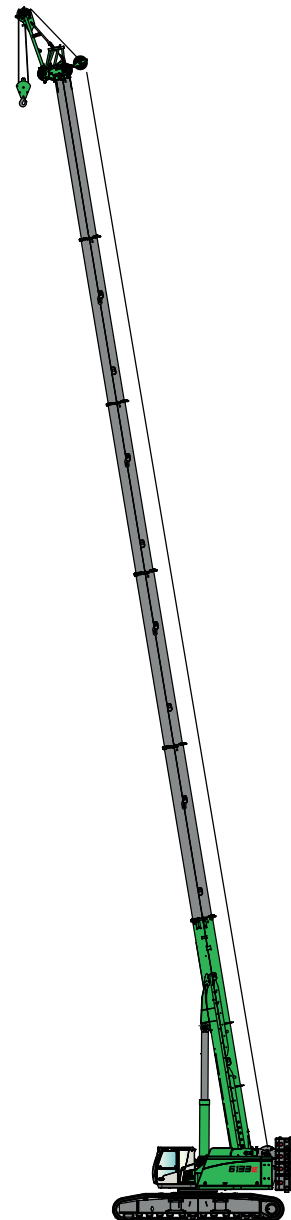
### OPERATING WEIGHT



**MASS** approx. 119.000 kg with telescopic boom 52.2 m, fly jib 8 m, 80 t hook, triple grouser shoes 900 mm, 2 hoist winches, with hydraulic telescoping undercarriage, ballast 35 t

**NOTE** Operating weight varies by model and equipment.

Subject to technical changes!



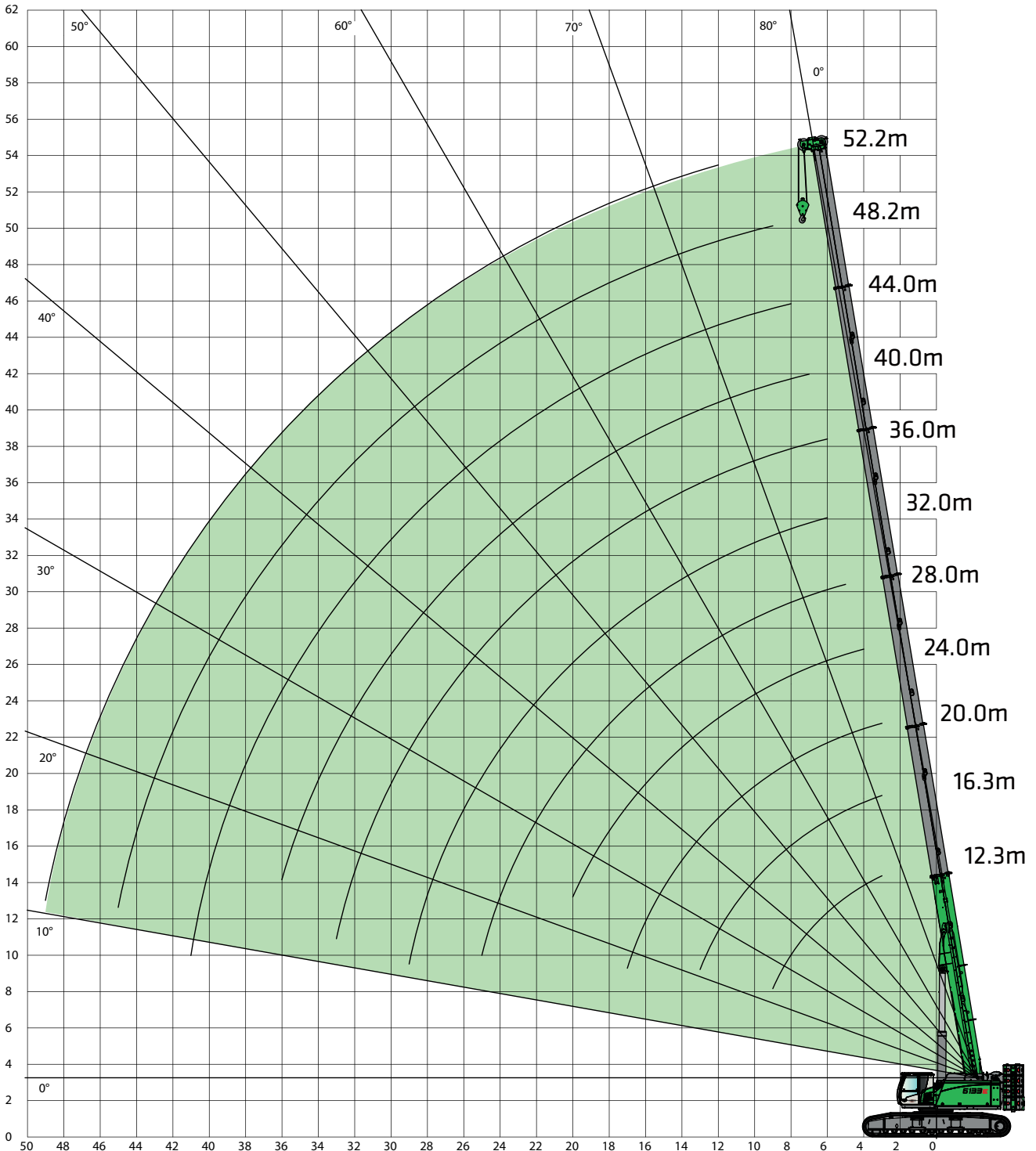
Optional: 2nd crane winch

# CRANE EQUIPMENT



**MAIN BOOM**  
HA 52.2 m

CRANE EQUIPMENT



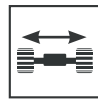
# LOAD RATINGS



**MAIN BOOM**  
HA 52.2 m



**BALLAST**  
35.3 t



**TRACK WIDTH**  
5.4 m



**MAX. INCLINATION**  
0.3°



RADIUS [m]	BOOM LENGTH [m]											
	12.3	16.3	20.0	24.0	28.0	32.0	36.0	40.0	44.0	48.2	52.2	
3.0	130.0*	80.0	75.0									
4.0	111.0*	76.0	68.0	66.0	42.6							
5.0	90.0	72.0	65.0	58.0	55.0							
6.0	74.0	68.4	60.4	56.0	49.0	46.0	35.0					
7.0	62.0	62.0	57.0	53.0	47.0	42.0	33.0	25.0				
8.0	53.0	54.0	52.3	48.0	46.0	40.0	31.0	24.0	19.1			
9.0	47.0	48.9	48.0	45.9	43.0	39.0	29.5	23.0	18.6	14.5		
10.0		43.5	43.8	42.4	40.0	37.0	28.0	21.0	18.4	14.4		
12.0		33.9	35.0	35.1	34.9	33.0	25.4	19.0	16.6	14.2	11.8	
14.0		23.0	28.0	28.1	27.8	25.5	23.0	17.5	15.2	14.0	11.5	
16.0			23.0	23.1	22.9	21.0	21.2	16.0	14.1	13.3	11.3	
18.0				19.5	19.2	17.0	17.8	15.0	12.7	12.5	11.1	
20.0				16.7	16.4	15.0	15.1	14.0	11.8	11.7	10.9	
22.0					14.2	13.0	12.9	13.0	11.1	10.8	10.5	
24.0					12.0	11.0	11.1	12.0	10.4	10.0	9.9	
26.0						9.5	10.0	11.0	9.8	9.5	9.3	
28.0						8.5	9.4	9.5	9.2	8.9	8.7	
30.0							8.9	8.5	8.7	8.4	8.0	
32.0							7.8	7.7	7.5	7.6	7.1	
34.0								6.9	7.0	6.8	6.3	
36.0								6.3	6.5	6.1	5.6	
38.0									5.9	5.5	4.9	
40.0									5.3	4.9	4.3	
42.0										4.2	3.8	
44.0										3.9	3.3	
46.0											2.9	
48.0											2.4	
<b>Number of falls</b>	10	10	8	6	6	4	4	4	2	2	2	

Tab. no.: 6133R-75/2790/35.3-0.0/12.19HA.0.3°

CRANE EQUIPMENT

- Notes:**
1. Load ratings are given in tonnes.
  2. The weight of the load handling equipment (hooks, suspension gear) should be deducted from the load capacities.
  3. The load ratings apply for the bolted boom.
  4. Load capacities must be limited or reduced in adverse conditions such as soft or uneven ground, slopes, wind, side loads, swinging loads, jolts or sudden stopping of loads, personnel and operators not experienced in handling loads.
  5. Permissible cable pull per strand in crane mode for cable diameter 26 mm - 12,500 kg.
  6. The load ratings and boom lengths given are for reference only. Please refer to the charts in the operating instructions for the relevant applicable load ratings and boom lengths.
  7. Values marked with \* only apply with special equipment.
  8. Load charts for inclines > 1.5° should be requested separately.
  9. The specifications on p. 20 for the reduction of the load capacity with the 15 m fly jib folded to the side apply to all HA charts. Capacity reductions for other equipment options should be requested separately.

## LOAD RATINGS



**MAIN BOOM**  
HA 52.2 m



**BALLAST**  
35.3 t



**TRACK WIDTH**  
5.4 m



**MAX. INCLINATION**  
1.5°



CRANE EQUIPMENT

RADIUS [m]	BOOM LENGTH [m]										
	12.3	16.3	20.0	24.0	28.0	32.0	36.0	40.0	44.0	48.0	52.2
2.0											
3.0	85.0	64.0	54.0								
4.0	80.0	64.0	57.0	50.0	42.0						
5.0	75.0	64.0	57.0	50.0	45.0						
6.0	70.0	64.0	57.0	50.0	45.0	35.0	30.5				
7.0	62.0	58.0	57.0	48.0	44.0	35.0	30.0	19.5			
8.0	53.0	54.0	52.3	47.4	43.0	35.0	29.0	19.0	15.3		
9.0	47.0	47.6	48.0	45.9	41.0	35.0	28.0	18.5	15.3	11.0	
10.0		42.2	42.6	42.4	39.0	34.0	27.0	18.3	15.3	11.0	
12.0		32.4	34.0	34.2	33.9	32.0	25.1	17.7	14.8	11.0	9.0
14.0		23.0	27.3	27.4	27.1	25.5	23.0	16.5	14.5	11.0	9.0
16.0			22.4	22.5	22.3	21.0	20.5	15.3	13.7	11.0	9.0
18.0				18.9	18.7	17.0	17.8	14.2	12.7	11.0	9.0
20.0				16.2	15.9	15.0	15.1	13.2	11.8	11.0	8.9
22.0					13.8	13.0	12.9	12.4	11.1	10.8	8.8
24.0					12.0	11.0	11.1	11.7	10.4	10.0	8.6
26.0						9.5	10.0	11.0	9.8	9.5	8.5
28.0						8.5	9.4	9.5	9.2	8.9	8.2
30.0							8.9	8.5	8.7	8.4	8.0
32.0							7.8	7.7	7.5	7.6	7.1
34.0								6.9	7.0	6.8	6.3
36.0								6.3	6.5	6.1	5.6
38.0									5.8	5.5	4.9
40.0									5.3	4.9	4.3
42.0										4.2	3.8
44.0										3.9	3.3
46.0											2.9
48.0											2.4
<b>Number of falls</b>	8	6	4	4	4	4	4	4	4	2	2
The load ratings must be reduced if there's a 15 m fly jib folded to the side of the main boom.											
<b>Load capacity reduction [kg]</b>	803	609	496	418	356	310	276	249	224	205	189

Tab. no.: 6133R-75/2790/35.3+0.0/10:19HA 1.5°

# LOAD RATINGS



**MAIN BOOM**  
HA 52.2 m



**BALLAST**  
21.3 t



**TRACK WIDTH**  
5.4 m



**MAX. INCLINATION**  
1.5°



RADIUS [m]	BOOM LENGTH [m]											
	12.3	16.3	20.0	24.0	28.0	32.0	36.0	40.0	44.0	48.2	52.2	
2.0												
3.0	85.0	64.0	54.0									
4.0	80.0	64.0	57.0	50.0	42.0							
5.0	75.0	64.0	57.0	50.0	45.0							
6.0	67.0	64.0	57.0	50.0	45.0	35.0	30.5					
7.0	56.0	56.3	55.8	48.0	44.0	35.0	30.0	19.5				
8.0	48.0	47.8	48.1	45.6	43.0	35.0	29.0	19.0	14.5			
9.0	39.0	39.2	41.2	41.6	39.7	35.0	28.0	18.5	14.5	10.5		
10.0		35.0	35.6	35.7	34.8	32.7	27.0	18.3	14.5	10.5		
12.0		26.3	26.9	27.0	26.7	26.0	24.5	17.7	14.5	10.5	9.0	
14.0		18.0	21.3	21.4	21.1	20.5	20.0	16.5	14.5	10.5	9.0	
16.0			17.4	17.5	17.2	16.6	16.2	15.3	13.7	10.5	9.0	
18.0				14.6	14.3	13.8	13.4	14.2	12.7	10.5	9.0	
20.0				12.8	12.1	11.6	12.2	12.3	11.8	10.5	8.9	
22.0					10.3	10.1	10.6	10.5	10.5	10.3	8.8	
24.0					9.3	9.4	9.2	9.2	9.3	9.0	8.6	
26.0						8.5	8.3	8.3	8.1	7.8	7.5	
28.0						7.5	7.6	7.3	7.1	6.8	6.5	
30.0							6.7	6.5	6.3	5.9	5.6	
32.0							6.0	5.7	5.5	5.1	4.8	
34.0								5.0	4.8	4.4	4.1	
36.0								4.4	4.2	3.8	3.5	
38.0									3.7	3.3	2.9	
40.0									3.2	2.8	2.5	
42.0										2.4	2.0	
44.0										2.0	1.6	
46.0											1.3	
48.0											0.9	
50.0												
<b>Number of falls</b>	8	6	4	4	4	4	4	4	4	2	2	

Tab. no.: 6133R-75/2790/21.3+0.0/09.19 HA.0.3°

CRANE EQUIPMENT

## LOAD RATINGS



**MAIN BOOM**  
HA 52.2 m



**BALLAST**  
35.3 t



**TRACK WIDTH**  
4.2 m



**MAX. INCLINATION**  
1.5 °



CRANE EQUIPMENT

RADIUS [m]	BOOM LENGTH [m]											
	12.3	16.3	20.0	24.0	28.0	32.0	36.0	40.0	44.0	48.2	52.2	
2.0												
3.0	85.0	64.0	54.0									
4.0	80.0	64.0	57.0	50.0	42.0							
5.0	75.0	64.0	57.0	50.0	45.0							
6.0	67.0	64.0	57.0	50.0	45.0	35.0	30.5					
7.0	56.0	56.6	54.0	48.0	44.0	35.0	30.0	19.5				
8.0	46.0	46.0	46.8	45.0	43.0	35.0	29.0	19.0	14.5			
9.0	38.0	38.5	41.2	41.3	39.7	35.0	28.0	18.5	14.5	10.5		
10.0		35.0	35.4	35.5	35.0	33.1	27.0	18.3	14.5	10.5		
12.0		26.0	27.3	27.4	27.1	26.5	25.1	17.7	14.5	10.5	9.0	
14.0		18.0	21.9	22.0	21.7	21.2	20.7	16.5	14.5	10.5	9.0	
16.0			18.0	18.1	17.9	17.3	16.9	15.3	13.7	10.5	9.0	
18.0				15.2	15.0	14.5	14.1	14.2	12.7	10.5	9.0	
20.0				13.0	12.8	12.3	12.2	13.0	11.8	10.5	8.9	
22.0					11.0	10.5	11.3	11.2	11.1	10.3	8.8	
24.0					9.5	9.6	9.8	9.7	9.8	9.6	8.4	
26.0						9.0	8.6	8.5	8.7	8.4	8.1	
28.0						8.1	7.7	7.9	7.7	7.4	7.1	
30.0							7.2	7.0	6.8	6.5	6.2	
32.0							6.8	6.2	6.1	5.7	5.4	
34.0								5.6	5.4	5.0	4.7	
36.0								4.9	4.8	4.4	4.0	
38.0									4.2	3.8	3.5	
40.0									3.7	3.3	3.0	
42.0										2.9	2.5	
44.0										2.4	2.1	
46.0											1.7	
48.0											1.4	
50.0												
<b>Number of falls</b>	8	6	4	4	4	4	4	4	4	2	2	

Tab. no.: 6133E-75/2190/35.3+0.0/0919 HA.0.3

## LOAD RATINGS



**MAIN BOOM**  
HA 52.2 m



**BALLAST**  
21.3 t



**TRACK WIDTH**  
4.2 m



**MAX. INCLINATION**  
1.5 °



RADIUS [m]	BOOM LENGTH [m]											
	12.3	16.3	20.0	24.0	28.0	32.0	36.0	40.0	44.0	48.2	52.2	
2.0												
3.0	85.0	64.0	54.0									
4.0	80.0	64.0	57.0	50.0	42.0							
5.0	70.0	64.0	57.0	50.0	45.0							
6.0	56.0	53.4	50.3	47.7	45.0	35.0	30.5					
7.0	43.0	43.5	45.2	42.9	40.4	35.0	30.0	19.5				
8.0	35.0	37.4	38.1	36.6	34.7	32.3	29.0	19.0	14.5			
9.0	29.0	31.3	31.9	31.7	30.2	28.2	26.8	18.5	14.5	10.5		
10.0		26.6	27.2	27.3	26.6	24.8	23.6	18.3	14.5	10.5		
12.0		20.2	20.8	20.9	20.6	19.7	18.8	17.7	14.5	10.5	9.0	
14.0		13.8	16.8	17.0	16.3	15.7	15.5	16.0	14.5	10.5	9.0	
16.0			13.7	13.9	13.2	13.2	13.4	13.4	13.1	10.5	9.0	
18.0				11.6	11.9	11.9	11.5	11.6	11.3	10.5	9.0	
20.0				9.8	10.1	10.1	10.1	9.8	9.6	9.0	8.4	
22.0					8.7	8.6	8.6	8.4	8.2	7.7	7.1	
24.0					7.5	7.4	7.5	7.2	7.0	6.6	6.1	
26.0						6.5	6.5	6.2	6.0	5.7	5.2	
28.0							5.6	5.7	5.4	5.2	4.8	4.4
30.0								4.9	4.7	4.5	4.1	3.7
32.0								4.3	4.0	3.8	3.4	3.1
34.0									3.4	3.2	2.8	2.5
36.0									2.9	2.7	2.3	2.0
38.0										2.3	1.9	1.5
40.0										1.9	1.5	1.1
42.0											1.1	0.8
44.0											0.8	
46.0												
48.0												
50.0												
<b>Number of falls</b>	8	6	4	6	4	4	4	4	4	2	2	

Tab. no.: 6133R-75/2190/21.3+0.0/09.19 HA.0.3°

CRANE EQUIPMENT

## LOAD RATINGS



**MAIN BOOM**  
HA 52.2 m



**BALLAST**  
0.0 t



**TRACK WIDTH**  
5.4 m



**MAX. INCLINATION**  
1.5 °



CRANE EQUIPMENT

RADIUS [m]	BOOM LENGTH [m]										
	12.3	16.3	20.0	24.0	28.0	32.0	36.0	40.0	44.0	48.2	52.2
2.0											
3.0	85.0	64.0	54.0								
4.0	80.0	64.0	57.0	50.0	42.0						
5.0	66.0	57.8	53.0	49.0	45.0						
6.0	49.0	46.0	45.0	42.0	39.6	35.0	30.5				
7.0	36.0	37.5	36.3	34.4	32.4	29.5	27.0	19.5			
8.0	28.0	30.0	30.0	28.7	27.0	24.5	23.0	19.0			
9.0	23.0	24.5	25.2	24.5	23.0	21.0	19.8	18.5			
10.0		20.5	21.8	21.5	20.2	18.4	18.6	18.0			
12.0		15.2	16.1	16.2	16.5	15.6	15.6	14.6			
14.0		9.0	12.5	12.5	13.1	12.8	12.7	11.8			
16.0			9.9	10.0	10.5	10.2	10.4	9.7			
18.0				8.1	8.6	8.4	8.5	8.0			
20.0				6.6	7.1	6.9	7.0	6.6			
22.0					5.9	5.7	5.9	5.5			
24.0					5.0	4.8	4.9	4.5			
26.0						3.9	4.1	3.7			
28.0						3.2	3.4	3.0			
30.0							2.8	2.4			
32.0							2.2	1.8			
34.0								1.4			
36.0								1.0			
38.0											
40.0											
42.0											
44.0											
46.0											
48.0											
50.0											
<b>Number of falls</b>	8	6	4	4	4	4	4	4			

Tab. no.: 6133E-75/2790/0.0+0.0/0919HA 0.3°





**MAIN BOOM**  
HA 52.2 m



**BALLAST**  
0.0 t



**TRACK WIDTH**  
4.2 m



**MAX. INCLINATION**  
1.5°



Tab. no.: 6133R-75/2190/0.0+0.0/0919 HA 0.3°

RADIUS [m]	BOOM LENGTH [m]										
	12.3	16.3	20.0	24.0	28.0	32.0	36.0	40.0	44.0	48.2	52.2
2.0											
3.0	60.0	60.0	54.0								
4.0	58.0	51.8	50.0	46.0	42.0						
5.0	42.0	41.1	39.1	36.1	33.4						
6.0	32.0	32.1	31.3	30.2	26.8	24.4	22.5				
7.0	24.0	25.9	25.7	24.9	23.7	20.7	18.8	19.4			
8.0	19.0	21.0	21.5	20.9	20.2	19.3	18.2	16.7			
9.0	15.0	17.2	18.2	17.9	17.4	16.6	15.8	14.9			
10.0		14.4	15.3	15.5	15.2	14.5	13.9	13.1			
12.0		10.4	11.3	11.6	11.8	11.3	10.8	10.2			
14.0		5.5	8.6	8.9	9.2	9.0	8.6	8.0			
16.0			6.7	7.0	7.3	7.2	6.9	6.4			
18.0				5.5	5.8	5.8	5.6	5.1			
20.0				4.3	4.7	4.6	4.6	4.1			
22.0					3.8	3.7	3.7	3.2			
24.0					3.0	2.9	2.9	2.5			
26.0						2.2	2.2	1.9			
28.0						1.6	1.7	1.4			
30.0							1.2	0.9			
32.0							0.8				
<b>Number of falls</b>	8	6	4	4	4	4	4	4			



**MAIN BOOM**  
HA 52.2 m



**BALLAST**  
0.0 t



**TRACK WIDTH**  
3.05 m



**MAX. INCLINATION**  
1.5°



Tab. no.: 6133R-75/1615/0.0+0.0/0919HA 0.3°

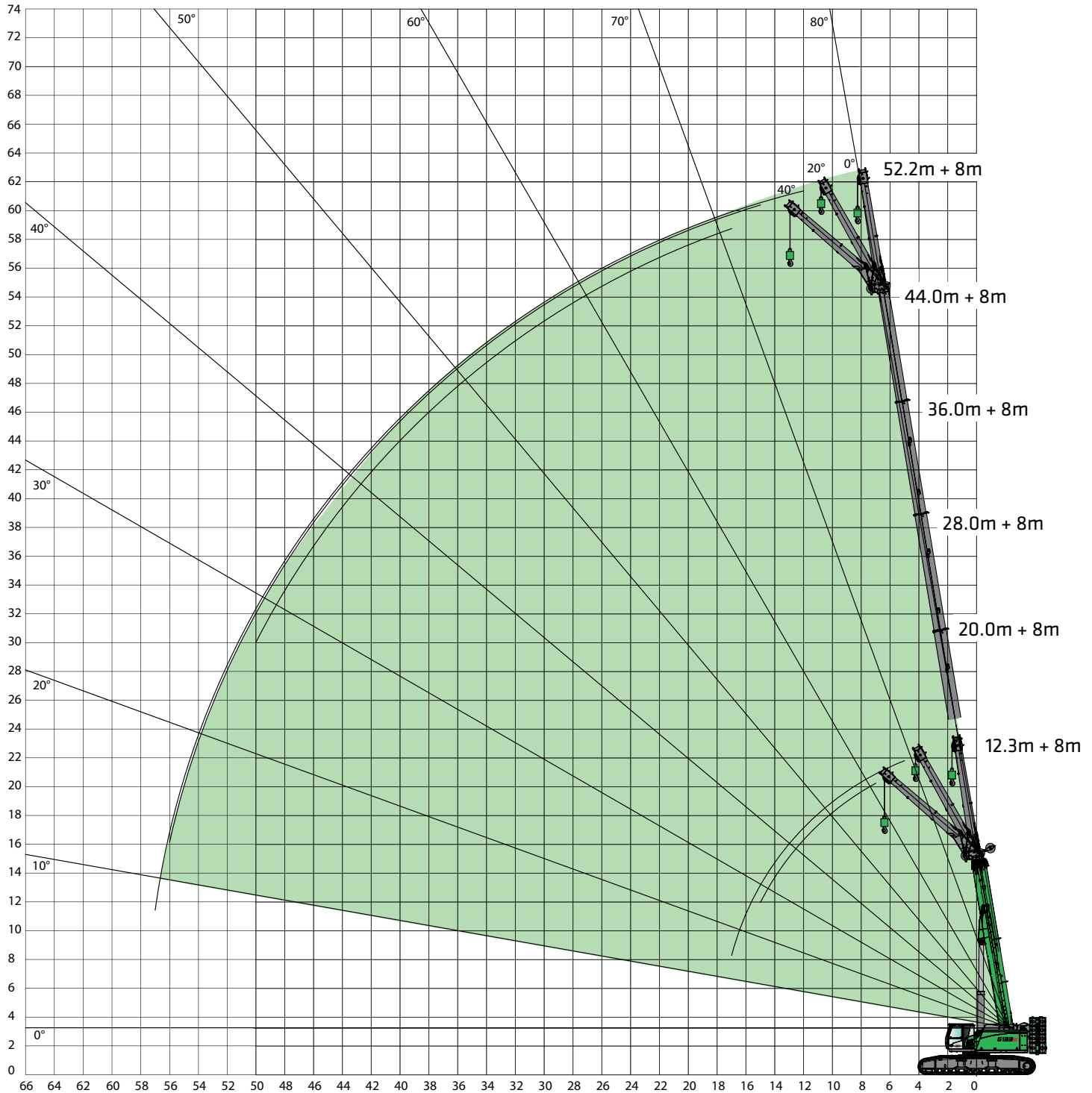
RADIUS [m]	BOOM LENGTH [m]										
	12.3	16.3	20.0	24.0	28.0	32.0	36.0	40.0	44.0	48.2	52.2
2.0											
3.0	53.1	49.1	45.7								
4.0	35.8	34.7	33.2	31.5							
5.0	26.2	26.2	25.6	24.5	23.1	21.7					
6.0	20.1	20.6	20.5	19.8	18.9	17.8					
7.0	15.6	16.6	16.8	16.3	15.7	14.9	16.8	13.3			
8.0	12.2	13.7	14.0	13.7	13.3	12.6	14.1	11.2			
9.0	9.7	11.3	11.9	11.6	11.4	10.8	11.9	9.6			
10.0		9.3	10.1	10.0	9.9	9.3	10.3	8.3			
12.0		6.5	7.4	7.5	7.5	7.1	7.7	6.2			
14.0		4.5	5.5	5.6	5.8	5.4	5.9	4.6			
16.0			4.0	4.2	4.5	4.1	4.5	3.4			
18.0				3.1	3.4	3.1	3.4	2.5			
20.0				2.2	2.6	2.3	2.6	1.7			
22.0					1.8	1.6	1.9	1.1			
24.0					1.2	1.1	1.3	0.6			
26.0							0.8				
<b>Number of falls</b>	8	6	4	4	4	4	4	4			

# CRANE EQUIPMENT



**FLY JIB  
SA 8 m**

CRANE EQUIPMENT



## LOAD RATINGS



FLY JIB  
SA 8 m



BALLAST  
35.0 t



TRACK WIDTH  
5.4 m



MAX. INCLINATION  
0.3 °



RADIUS [m]	TELESCOPIC BOOM LENGTH [m]																	
	12.3			19.9			27.7			35.8			44.0			52.2		
	8.0			8.0			8.0			8.0			8.0			8.0		
	0°	20°	40°	0°	20°	40°	0°	20°	40°	0°	20°	40°	0°	20°	40°	0°	20°	40°
5.0	14.2	10.3		14.9			14.0											
6.0	12.9	9.6		14.0	9.9		13.4											
7.0	11.9	9.0	7.2	13.0	9.5		12.8			11.4								
8.0	10.9	8.5	6.9	12.3	9.1	7.0	12.2	9.0		11.2								
9.0	10.2	8.0	6.7	11.6	8.7	6.9	11.7	8.8		10.9								
10.0	9.5	7.6	6.5	10.9	8.3	6.7	11.2	8.5	6.7	10.7	8.3		9.5					
12.0	8.2	6.9	6.1	9.9	7.7	6.4	10.3	8.0	6.5	10.0	7.9	6.4	9.2			6.5		
14.0	7.2	6.4	5.8	9.0	7.2	6.1	9.5	7.5	6.2	9.4	7.5	6.2	8.9	7.4	6.0	6.5		
16.0	6.4	6.1	5.7/15m	8.2	6.7	5.9	8.9	7.1	6.0	8.9	7.2	6.0	8.6	7.1	5.9	6.5	6.7	
18.0		6.0/17m		7.4	6.4	5.7	8.3	6.7	5.8	8.5	6.9	5.8	8.2	6.8	5.7	6.4	6.5	5.6
20.0				6.9	6.1	5.5	7.8	6.4	5.6	8.0	6.6	5.6	7.9	6.6	5.6	6.4	6.3	5.4
22.0				6.4	5.9	5.4/21m	7.3	6.2	5.4	7.6	6.3	5.4	7.5	6.3	5.4	6.4	6.1	5.3
24.0				6.2/23m	5.9		6.8	6.0	5.3	7.2	6.1	5.3	7.2	6.1	5.3	6.3	6.0	5.2
26.0							6.5	5.8	5.2	6.9	5.9	5.2	6.9	5.9	5.2	6.3	5.8	5.1
28.0							6.1	5.7	5.2/27m	6.6	5.7	5.1	6.6	5.8	5.0	6.2	5.6	5.0
30.0							5.8	5.6		6.3	5.6	5.0	6.4	5.6	4.9	6.1	5.5	4.9
32.0							5.7/31m	5.4		5.9	5.5	4.9	6.2	5.5	4.9	6.0	5.3	4.8
34.0										5.6	5.4	4.9	5.9	5.4	4.8	5.8	5.2	4.7
36.0										5.2	5.2		5.7	5.3	4.7	5.6	5.1	4.6
38.0										4.9	4.9		5.4	5.2	4.7	5.4	5.0	4.6
40.0										4.8/39m	4.7		5.1	5.1	4.7	4.9	4.9	4.6
42.0													4.8	4.8	4.7	4.3	4.6	4.5
44.0													4.4	4.6		3.8	4.1	4.2
46.0													4.0	4.2		3.4	3.6	3.6
48.0													3.7	3.8		3.0	3.2	3.2
50.0													3.5/49m			2.6	2.8	2.8
52.0																2.2	2.4	
54.0																1.8	2.0	
56.0																1.5	1.7	
58.0																1.4/57m		
60.0																		
Number of falls	2	2	2	2	2	2	2	2	2	2	2	2	2	2	2	2	2	2

Tab. no.: 6133 - 15634x - 0.3°/5.4m/35.0/10.19

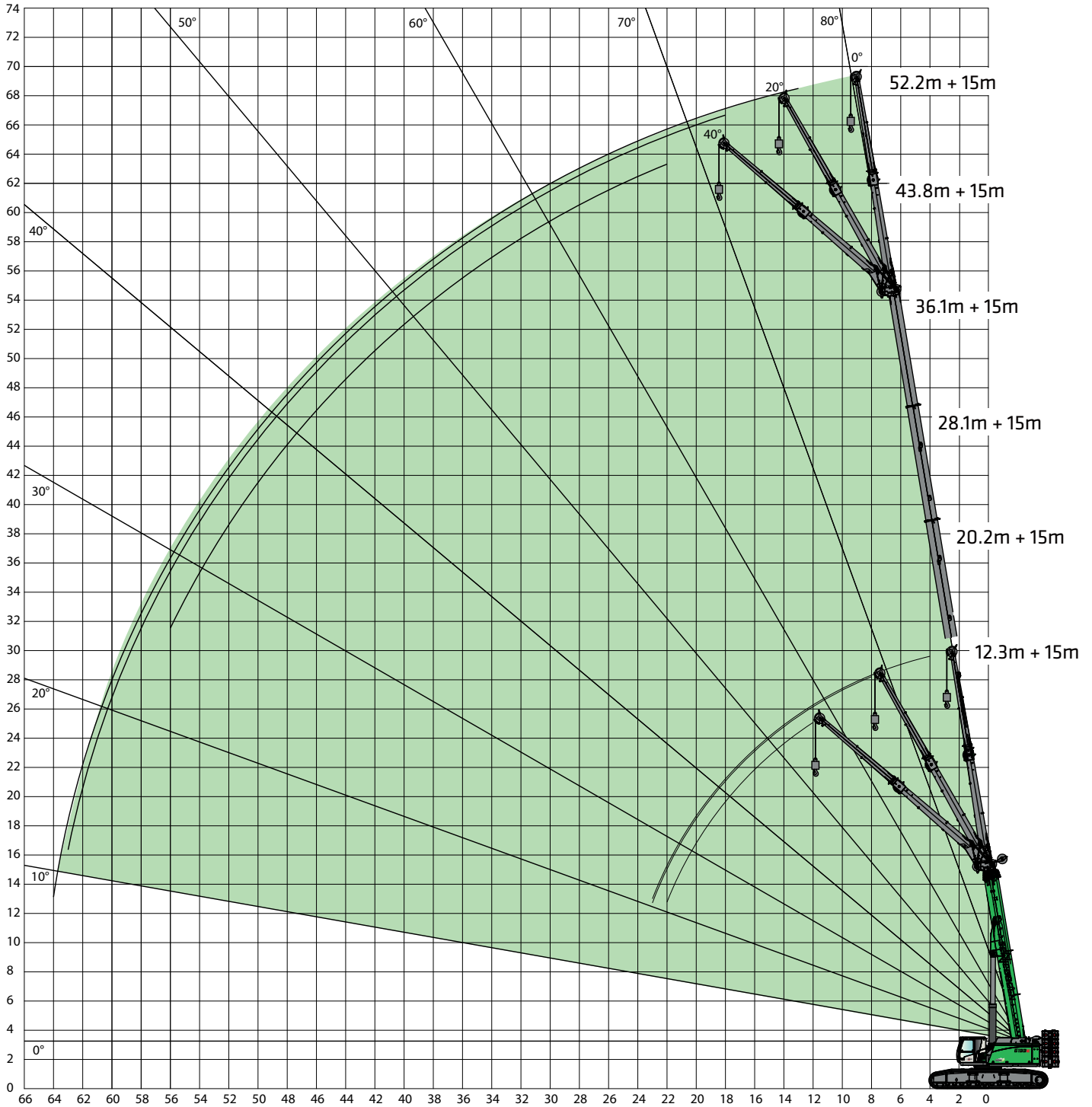
CRANE EQUIPMENT

# CRANE EQUIPMENT



**FLY JIB  
SA 15 m**

CRANE EQUIPMENT



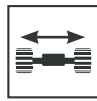
## LOAD RATINGS



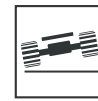
FLY JIB  
SA 15 m



BALLAST  
35.0 t



TRACK WIDTH  
5.4 m



MAX. INCLINATION  
0.3 °



RADIUS [m]	TELESCOPIC BOOM LENGTH [m]																	
	12.3			20.0			28.0			36.0			44.0			52.2		
	0°	20°	40°	0°	20°	40°	0°	20°	40°	0°	20°	40°	0°	20°	40°	0°	20°	40°
5.0	5.8																	
6.0	5.5			5.4														
7.0	5.2			5.3			4.9											
8.0	4.9	3.8		5.2			4.8											
9.0	4.6	3.7		5.0			4.7			4.4								
10.0	4.3	3.5		4.8			4.6			4.3			4.0					
12.0	3.8	3.2	2.6	4.4	3.4		4.5	3.4		4.2			3.9					
14.0	3.4	3.0	2.5	4.0	3.0	2.5	4.2	3.2		4.1	3.2		3.8			3.0		
16.0	3.1	2.8	2.4	3.7	3.0	2.5	3.9	3.0	2.5	3.9	3.1		3.7	3.1		3.0		
18.0	2.9	2.6	2.3	3.4	2.8	2.4	3.6	2.9	2.4	3.8	2.9	2.4	3.6	2.9		3.0	2.9	
20.0	2.7	2.5	2.2	3.1	2.7	2.4	3.4	2.7	2.4	3.6	2.8	2.4	3.5	2.8	2.4	3.0	2.8	
22.0	2.5	2.4	2.2	2.9	2.6	2.3	3.2	2.6	2.3	3.4	2.7	2.3	3.4	2.7	2.3	3.0	2.7	2.3
24.0	2.4/23m	2.3/23m		2.7	2.4	2.2	3.0	2.5	2.2	3.2	2.6	2.3	3.3	2.6	2.3	3.0	2.6	2.2
26.0				2.5	2.3	2.2	2.8	2.4	2.2	3.0	2.5	2.2	3.1	2.5	2.2	3.0	2.5	2.2
28.0				2.4	2.3	2.2	2.7	2.3	2.2	2.9	2.4	2.2	3.0	2.5	2.2	2.9	2.5	2.1
30.0				2.3	2.2	2.2/29m	2.5	2.3	2.1	2.7	2.3	2.1	2.9	2.5	2.1	2.8	2.4	2.1
32.0				2.2/31m	2.2		2.4	2.2	2.1	2.6	2.3	2.1	2.7	2.4	2.1	2.8	2.3	2.0
34.0							2.3	2.2	2.1	2.5	2.2	2.1	2.6	2.3	2.1	2.7	2.3	2.0
36.0							2.2	2.1		2.4	2.2	2.1	2.5	2.3	2.0	2.6	2.2	2.0
38.0							2.2/37m	2.1		2.3	2.1	2.1	2.5	2.2	2.0	2.5	2.2	2.0
40.0										2.2	2.1	2.1	2.4	2.2	2.0	2.4	2.1	2.0
42.0										2.2	2.1		2.3	2.1	2.0	2.3	2.1	2.0
44.0										2.1	2.1		2.2	2.1	2.0	2.3	2.0	1.9
46.0										2.1	2.1		2.2	2.0	2.0	2.2	2.0	1.9
48.0													2.1	2.0		2.1	2.0	1.9
50.0													2.0	2.0		2.1	1.9	1.9
52.0													2.0	2.0		2.0	1.9	1.9
54.0													2.0	2.0		2.0	1.9	1.9
56.0																1.9	1.9	1.9
58.0																1.8	1.9	
60.0																1.6	1.6	
62.0																1.3	1.4	
64.0																1.1	1.3/63m	
Number of falls	2	2	2	2	2	2	2	2	2	2	2	2	2	2	2	2	2	2

Tab. no.: 6133-15635x-0.3°/5.4m/35.0/12.18 SA15

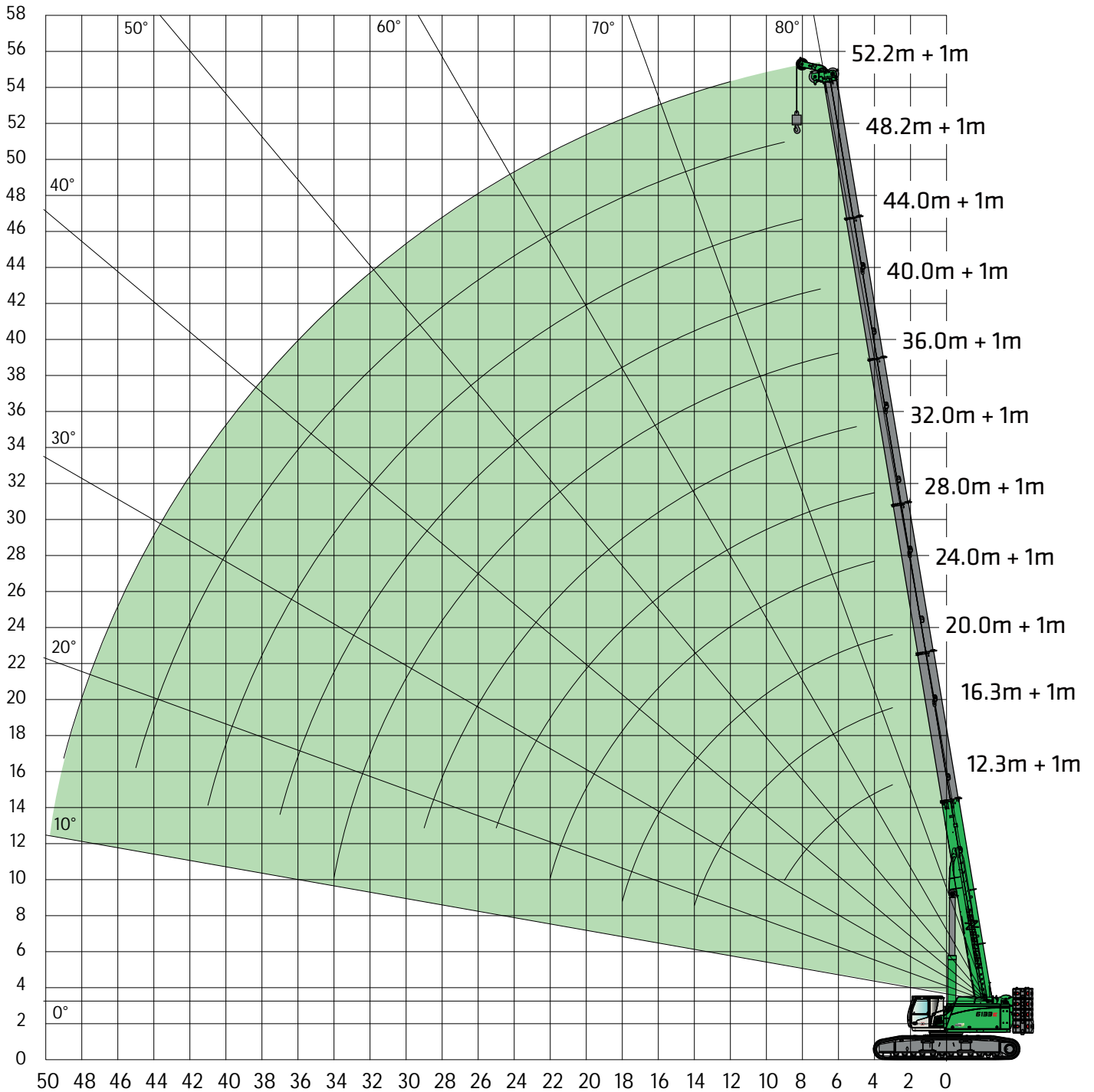
CRANE EQUIPMENT

## CRANE EQUIPMENT



AUXILIARY JIB  
HA-S

CRANE EQUIPMENT



# LOAD RATINGS



**AUXILIARY JIB  
HA-S**



**BALLAST  
35.3 t**



**TRACK WIDTH  
5.4 m**



**MAX. INCLINATION  
1.5 °**



RADIUS [m]	BOOM LENGTH [m]										
	12.3	16.3	20.0	24.0	28.0	32.0	36.0	40.0	44.0	48.2	52.2
3.0	12.5	12.5	12.5								
4.0	12.5	12.5	12.5	12.5	12.5						
5.0	12.5	12.5	12.5	12.5	12.5	12.5					
6.0	12.5	12.5	12.5	12.5	12.5	12.5	12.5				
7.0	12.5	12.5	12.5	12.5	12.5	12.5	12.5	12.5			
8.0	12.5	12.5	12.5	12.5	12.5	12.5	12.5	12.5	12.5		
9.0	12.5	12.5	12.5	12.5	12.5	12.5	12.5	12.5	12.5	11.0	
10.0		12.5	12.5	12.5	12.5	12.5	12.5	12.5	12.5	11.0	
12.0		12.5	12.5	12.5	12.5	12.5	12.5	12.5	12.5	11.0	9.0
14.0		12.5	12.5	12.5	12.5	12.5	12.5	12.5	12.5	11.0	9.0
16.0			12.5	12.5	12.5	12.5	12.5	12.5	12.5	11.0	9.0
18.0			12.5	12.5	12.5	12.5	12.5	12.5	12.5	11.0	9.0
20.0				12.5	12.5	12.5	12.5	12.5	11.8	11.0	8.9
22.0				12.5	12.5	12.5	12.5	12.4	11.1	10.8	8.8
24.0					12.0	11.0	11.1	11.7	10.4	10.0	8.6
26.0						9.5	10.0	11.0	9.8	9.5	8.5
28.0							8.5	9.4	9.5	9.2	8.2
30.0								8.9	8.5	8.7	8.0
32.0								7.8	7.7	7.5	7.1
34.0								3.0	6.9	7.0	6.3
36.0									6.3	6.5	5.6
38.0										5.8	4.9
40.0										5.3	4.3
42.0											4.2
44.0											3.9
46.0											
48.0											
50.0											
<b>Number of falls</b>	1	1	1	1	1	1	1	1	1	1	1

Tab. no.: 6133R-856331-1.5°/5.4m/35.3t/09/19 HA-S

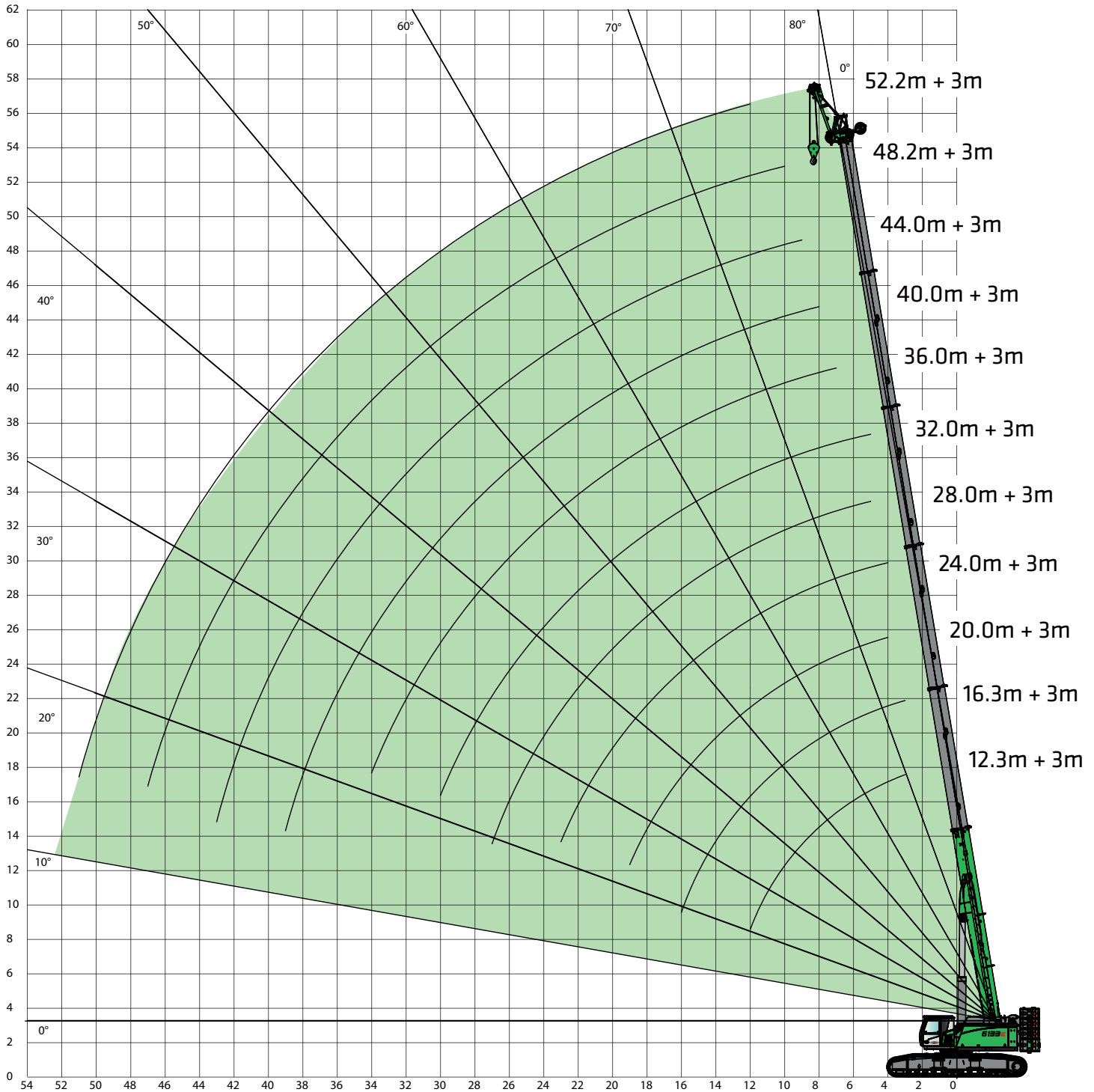
CRANE EQUIPMENT

# CRANE EQUIPMENT



**MAIN BOOM**  
HA 52.2 m + SLS (heavy-duty jib)

CRANE EQUIPMENT





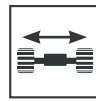
# LOAD RATINGS



**MAIN BOOM**  
HA 52.2 m + SLS



**BALLAST**  
35.3 t



**TRACK WIDTH**  
5.4 m



**MAX. INCLINATION**  
0.3 °



RADIUS[m]	BOOM LENGTH [m]										
	12.3	16.3	20.0	24.0	28.0	32.0	36.0	40.0	44.0	48.2	52.2
3.0	36.0	36.0									
4.0	34.0	36.0	35.9								
5.0	31.0	33.7	34.0	35.3	35.0						
6.0	28.9	31.5	32.1	33.9	34.3	29.2					
7.0	26.8	29.5	30.0	32.0	32.6	29.2					
8.0	25.7	27.7	28.9	30.0	31.0	28.4	25.8				
9.0	24.8	26.7	27.9	28.7	29.5	27.4	25.2	18.2			
10.0	24.1	25.8	27.0	27.9	28.1	26.4	24.6	17.3	16.1		
12.0		24.4	25.5	26.4	26.7	24.6	23.2	15.7	14.8	12.1	9.5
14.0		23.5	24.4	25.1	25.5	23.8	21.4	14.3	13.5	12.1	9.5
16.0		21.2	22.8	22.5	22.1	22.5	19.1	13.2	12.4	11.9	9.5
18.0			19.1	19.6	19.4	18.8	17.1	12.2	11.5	11.1	9.5
20.0				16.8	16.5	16.0	15.6	11.3	10.6	10.3	9.5
22.0				14.5	14.3	13.8	13.4	10.6	9.9	9.6	9.3
24.0					12.4	11.9	11.5	9.9	9.2	9.0	8.8
26.0					10.9	10.4	10.0	9.3	8.6	8.4	8.2
28.0						9.2	8.8	8.7	8.0	7.8	7.6
30.0						8.1	7.7	8.3	7.5	7.3	7.1
32.0							7.0	7.8	7.1	6.9	6.6
34.0							6.6	6.9	6.7	6.4	6.2
36.0								6.1	6.3	6.0	5.8
38.0								5.5	5.7	5.3	5.0
40.0									5.1	4.7	4.3
42.0									4.5	4.1	3.8
44.0										3.6	3.3
46.0										3.2	2.8
48.0											2.4
50.0											2.0
<b>Number of falls</b>	3	3	3	3	3	3	3	2	2	2	2

CRANE EQUIPMENT

## LOAD RATINGS



**MAIN BOOM**  
HA 52.2 m + SLS



**BALLAST**  
35.3 t



**TRACK WIDTH**  
5.4 m



**MAX. INCLINATION**  
1.5 °



CRANE EQUIPMENT

RADIUS [m]	BOOM LENGTH [m]											
	12.3	16.0	20.0	24.0	28.0	32.0	36.0	40.0	44.0	48.0	52.2	
3.0	21.3	21.3										
4.0	21.3	21.3	21.3	21.3								
5.0	21.3	21.3	21.3	21.3	21.3	21.2						
6.0	21.3	21.3	21.3	21.3	21.3	20.8						
7.0	21.3	21.3	21.3	21.3	21.3	20.3						
8.0	20.5	21.3	21.3	21.3	21.3	19.9	16.9	12.4				
9.0	19.9	20.4	21.3	21.3	21.1	19.5	16.4	12.3	8.9			
10.0	19.5	19.8	21.3	21.3	20.7	19.0	16.0	12.3	8.9	6.5		
12.0	19.1	19.0	19.6	19.9	19.9	18.0	15.1	12.0	8.9	6.5	4.9	
14.0		18.4	18.8	19.1	19.1	17.1	14.4	11.6	8.9	6.5	4.9	
16.0		18.4	18.3	18.5	18.5	16.2	13.7	10.9	8.9	6.5	4.9	
18.0			18.0	17.9	17.6	15.3	13.0	10.2	8.9	6.5	4.9	
20.0				16.3	16.2	14.4	12.4	9.6	8.8	6.5	5.0	
22.0				14.2	13.9	13.3	11.7	9.0	8.3	6.5	5.0	
24.0					12.1	11.5	10.9	8.4	7.8	6.5	5.0	
26.0					10.6	10.1	9.8	7.9	7.3	6.5	5.0	
28.0						8.9	8.5	7.5	6.8	6.5	5.0	
30.0						7.9	7.4	7.1	6.5	6.4	5.1	
32.0							6.5	6.8	6.1	6.0	5.1	
34.0							6.1	6.5	5.8	5.7	5.1	
36.0								6.0	5.5	5.4	4.9	
38.0								5.3	5.2	5.1	4.7	
40.0									4.7	4.6	4.3	
42.0									4.3	4.0	3.8	
44.0										3.5	3.3	
46.0										3.1	2.8	
48.0											2.4	
50.0											2.0	
<b>Number of falls</b>	2	2	2	2	2	2	2	2	2	2	2	2

Tab. no.: 6133R-75/2790/35.3+0.0/10/19 SLS 1.5°

# LOAD RATINGS



**MAIN BOOM**  
HA 52.2 m + SLS



**BALLAST**  
21.3 t



**TRACK WIDTH**  
5.4 m



**MAX. INCLINATION**  
1.5 °



RADIUS [m]	BOOM LENGTH [m]											
	12.3	16.0	20.0	24.0	28.0	32.0	36.0	40.0	44.0	48.0	52.2	
3.0	21.3	21.3										
4.0	21.3	21.3	21.3	21.3								
5.0	21.3	21.3	21.3	21.3	21.3	21.2						
6.0	21.3	21.3	21.3	21.3	21.3	20.8						
7.0	21.3	21.3	21.3	21.3	21.3	20.3						
8.0	20.5	21.3	21.3	21.3	21.3	19.9	16.9	12.4				
9.0	19.9	20.4	21.3	21.3	21.1	19.5	16.4	12.3	8.9			
10.0	19.5	19.8	21.3	21.3	20.7	19.0	16.0	12.3	8.9	6.5		
12.0	19.1	19.0	19.6	19.9	19.9	18.0	15.1	12.0	8.9	6.5	4.9	
14.0		18.4	18.8	19.1	19.1	17.1	14.4	11.6	8.9	6.5	4.9	
16.0		15.7	17.2	17.7	17.4	16.2	13.7	10.9	8.9	6.5	4.9	
18.0			14.8	14.7	14.4	13.9	13.0	10.2	8.9	6.5	4.9	
20.0				12.5	12.2	11.6	11.2	9.6	8.8	6.5	5.0	
22.0				10.7	10.4	9.9	9.5	9.0	8.3	6.5	5.0	
24.0					8.9	8.4	8.2	8.4	7.8	6.5	5.0	
26.0					7.7	7.2	7.7	7.8	7.3	6.5	5.0	
28.0						6.2	7.2	6.7	6.7	6.5	5.0	
30.0							5.7	6.3	5.9	6.1	5.7	5.1
32.0								5.6	5.2	5.3	4.9	4.5
34.0								5.1	4.9	4.6	4.2	3.8
36.0									4.2	4.0	3.5	3.2
38.0									3.6	3.4	3.0	2.7
40.0										2.9	2.5	2.2
42.0										2.5	2.1	1.7
44.0											1.7	1.3
46.0											1.3	1.0
48.0												0.6
<b>Number of falls</b>	2	2	2	2	2	2	2	2	2	2	2	2

CRANE EQUIPMENT

## LOAD RATINGS



**MAIN BOOM**  
HA 52.2 m + SLS



**BALLAST**  
0.0 t



**TRACK WIDTH**  
5.4 m



**MAX. INCLINATION**  
1.5°

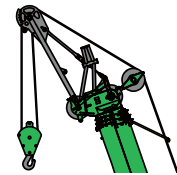
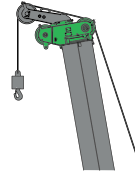
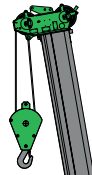


RADIUS [m]	BOOM LENGTH [m]										
	12.3	16.0	20.0	24.0	28.0	32.0	36.0	40.0	44.0	48.0	52.2
3.0	21.3	21.3									
4.0	21.3	21.3	21.3								
5.0	21.3	21.3	21.2	19.4							
6.0	21.3	21.3	20.3	18.7	15.8						
7.0	21.3	21.0	19.4	18.1	15.3	13.6					
8.0	20.5	20.3	18.4	17.4	14.8	13.3	12.2				
9.0	19.9	19.7	17.2	16.2	14.3	12.9	12.2	10.2			
10.0	19.5	19.2	16.1	15.2	13.7	12.5	12.1	10.2			
12.0	14.6	15.7	14.2	13.4	12.3	11.6	11.7	10.1			
14.0		12.0	12.6	12.0	11.0	10.4	11.0	10.0			
16.0		9.4	10.0	10.2	9.9	9.5	10.0	9.4			
18.0			8.1	8.3	8.4	8.3	9.2	7.6			
20.0				6.8	6.9	6.8	8.1	6.3			
22.0				5.6	5.8	5.7	6.1	5.2			
24.0					4.8	4.7	4.6	4.3			
26.0					3.9	3.8	3.8	3.5			
28.0						3.1	3.0	2.8			
30.0							2.5	2.4	2.2		
32.0								1.9	1.6		
34.0								1.4	1.2		
36.0									0.8		
<b>Number of falls</b>	2	2	2	2	2	2	2	2	2	2	2

Tab. no.: 6133R-75/2790/0.0+0.0/10.19 SLS 1.5°

# LOAD CAPACITY SCHEDULES

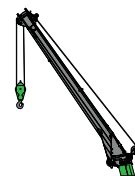
	MAIN BOOM HA			AUXILIARY JIB HA-S			HEAVY DUTY JIB SLS		
--	--------------	--	--	--------------------	--	--	--------------------	--	--



UNDERCARRIAGE TRACK WIDTH	5.4 m	4.2 m	3.05 m	5.4 m	4.2 m	3.05 m	5.4 m	4.2 m	3.05 m
Counter weight [t]									
35.3 t	360°	360°	-	360°	360°	-	360°	360°	-
21.3 t	360°	360°	-	360°	360°	-	360°	360°	-
0 t	360°	360°	360°	360°	360°	360°	360°	360°	-

CRANE EQUIPMENT

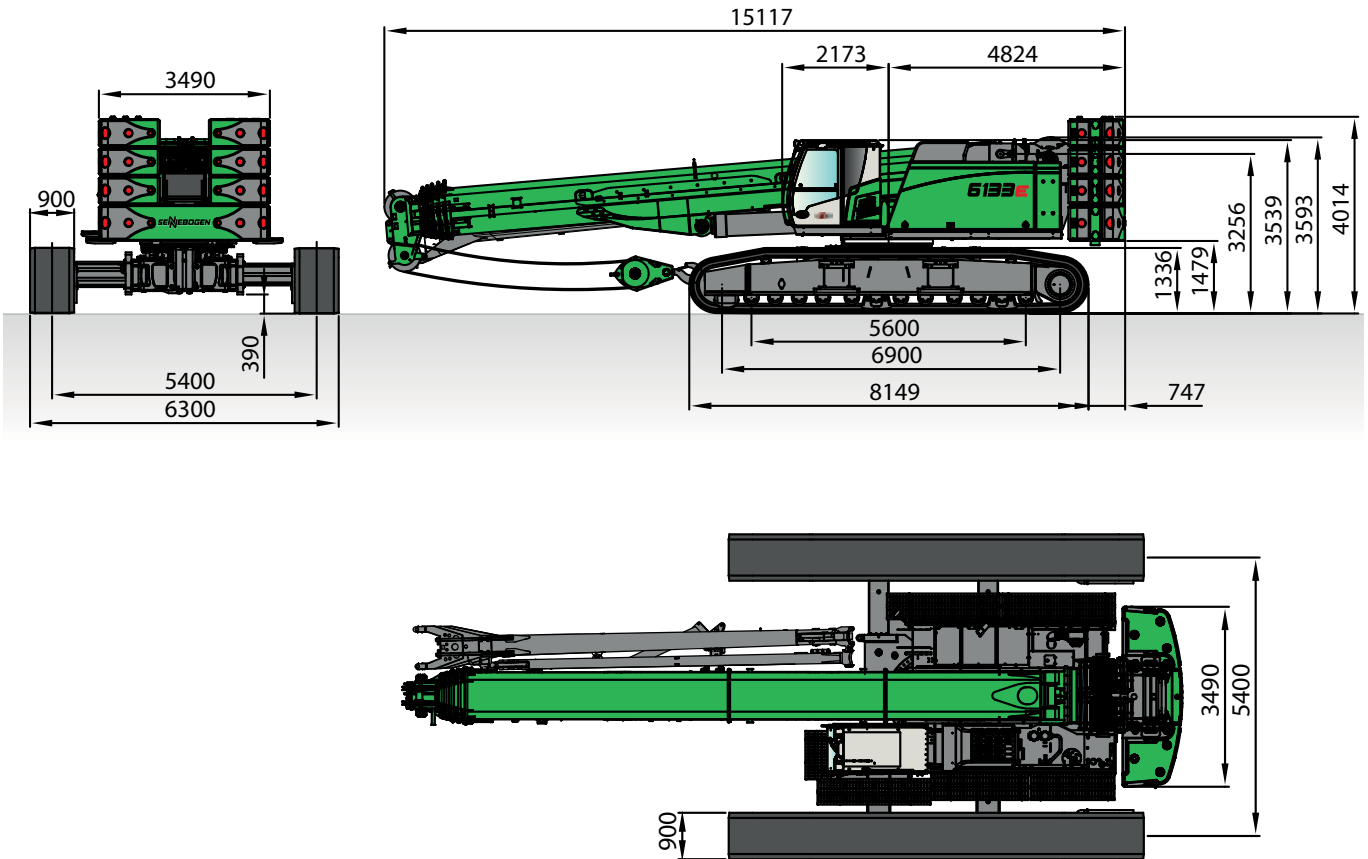
	FLY JIB SA 8m			FLY JIB SA 15m		
--	---------------	--	--	----------------	--	--



UNDERCARRIAGE TRACK WIDTH	5.4 m	4.2 m	3.05 m	5.4 m	4.2 m	3.05 m
Counter weight [t]						
35.3 t	360°	-	-	360°	-	-
21.3 t	-	-	-	-	-	-
0 t	-	-	-	-	-	-

## TRANSPORT DIMENSIONS

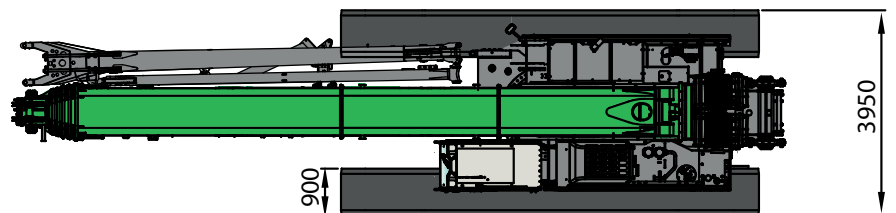
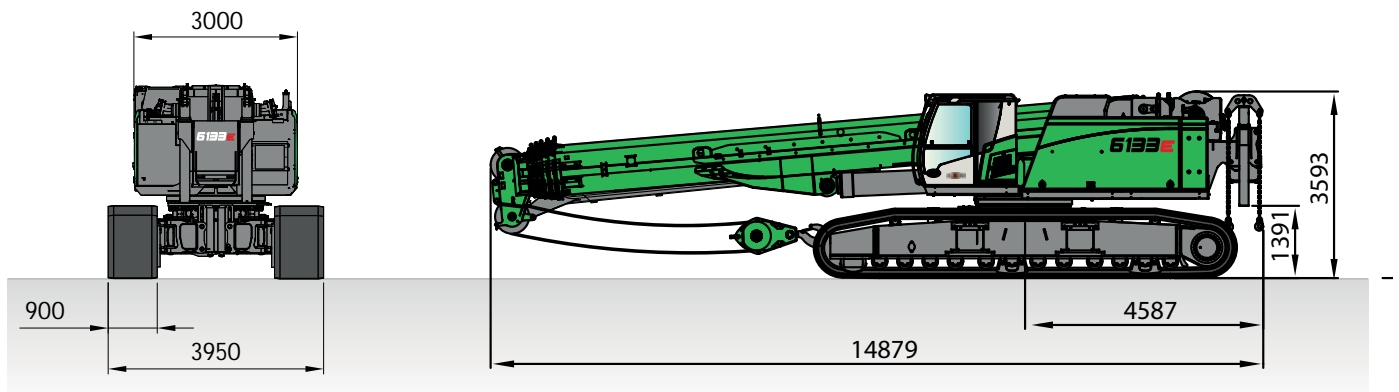
**i** **Weight:** approx. 119 t (2 winches, 8 m fly jib, 80 t hook, 35 t counter weight, 900 mm triple grouser shoes)  
**Dimensions:** 15.2 m x 3.95 m x 4.0 m



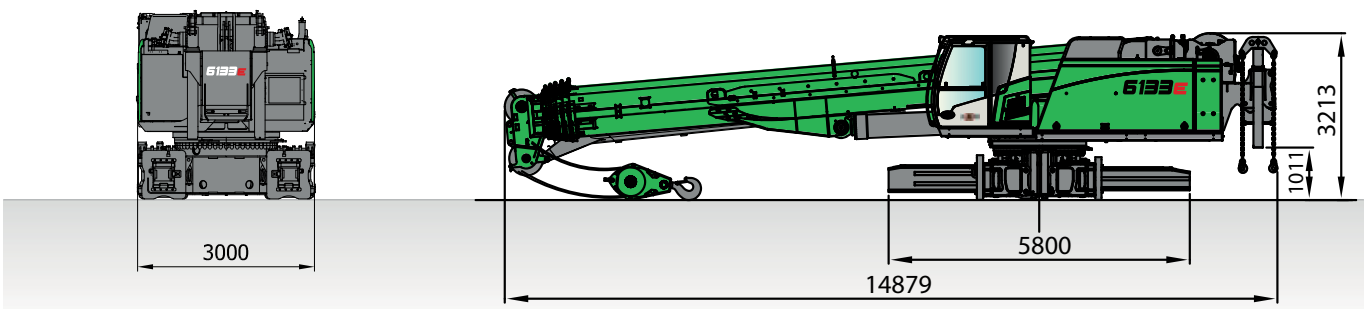
Dimensions in [mm]

## TRANSPORT DIMENSIONS

**i** **Weight:** approx. 84 t (2 winches, 8 m fly jib, 80 t hook, no counter weight)  
**Dimensions:** 14.9 m x 3.95 m x 3.6 m



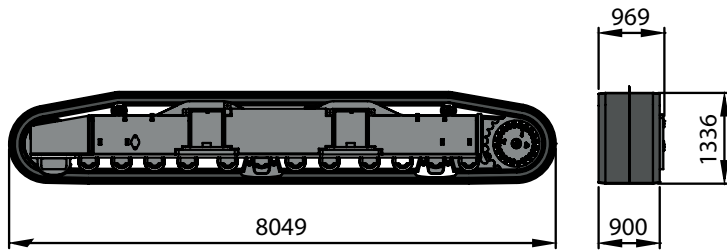
**i** **Weight:** approx. 51.8 t (2 winches, 8 m fly jib, 80 t hook, no counter weight, no crawler carriers)  
**Dimensions:** 14.9 m x 3.0 m x 3.2 m



Dimensions in [mm]

# TRANSPORT DIMENSIONS

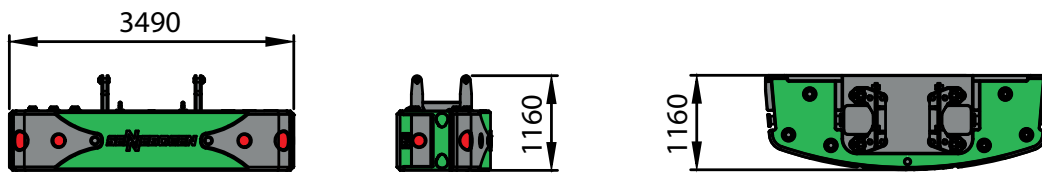
## CRAWLER



**i** **Weight:**  
triple grouser: 2 x 15700 kg  
flat track shoes: 2 x 17100 kg

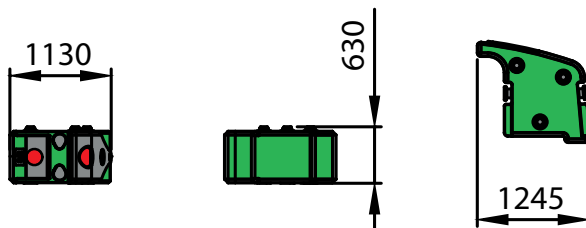
## BALLAST BASE PLATE

**i** **Weight:** 1 x 14350 kg



## BALLAST PLATE

**i** **Weight:** 6 x 3500 kg



## FLY JIB 8 m SA80.2

**i** **Weight:** 920 kg



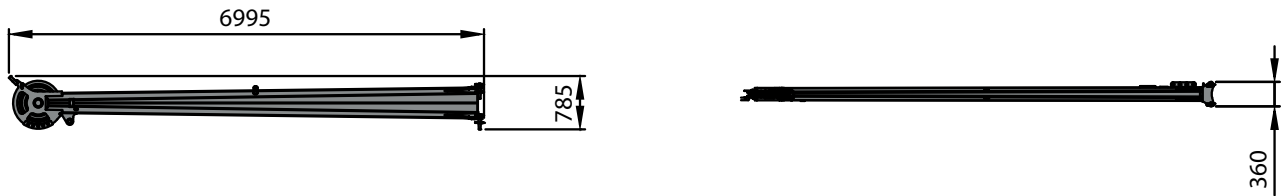
Dimensions in [mm]



# TRANSPORT DIMENSIONS

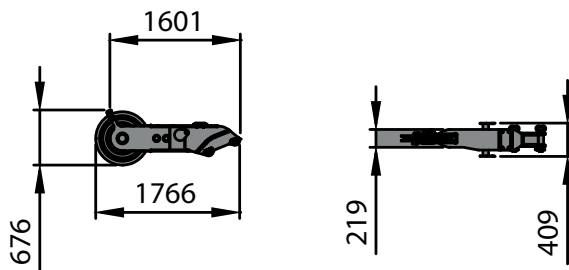
**FLY JIB EXTENSION 7 m SAV70.2**

**i** **Weight: 300 kg**



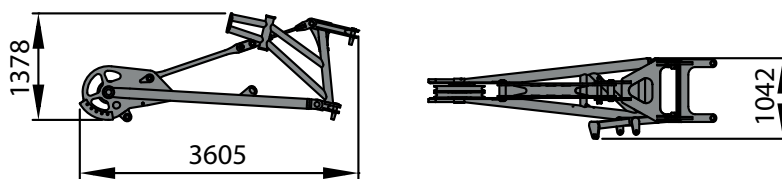
**AUXILIARY JIB S12.5**

**i** **Weight: 160 kg**



**HEAVY-DUTY JIB S36.2**

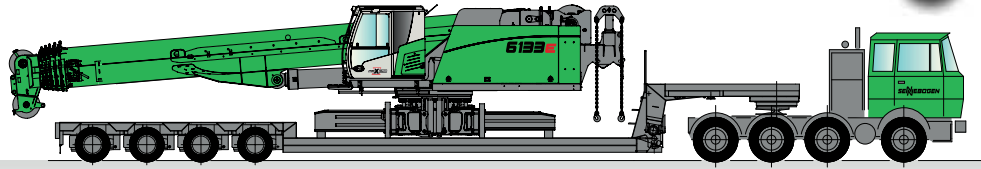
**i** **Weight: 650 kg**



Dimensions in [mm]

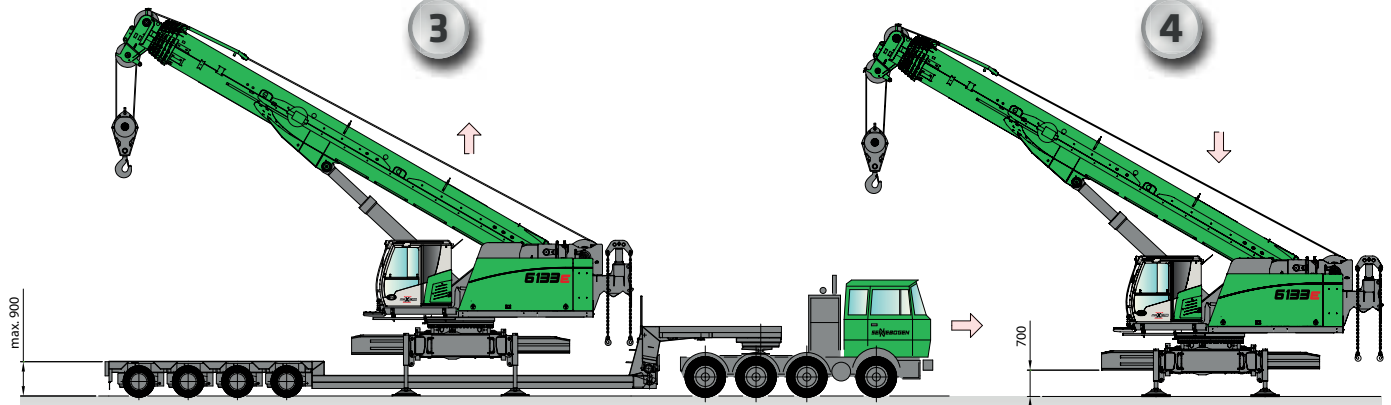
## SELF-ASSEMBLY SYSTEM

1



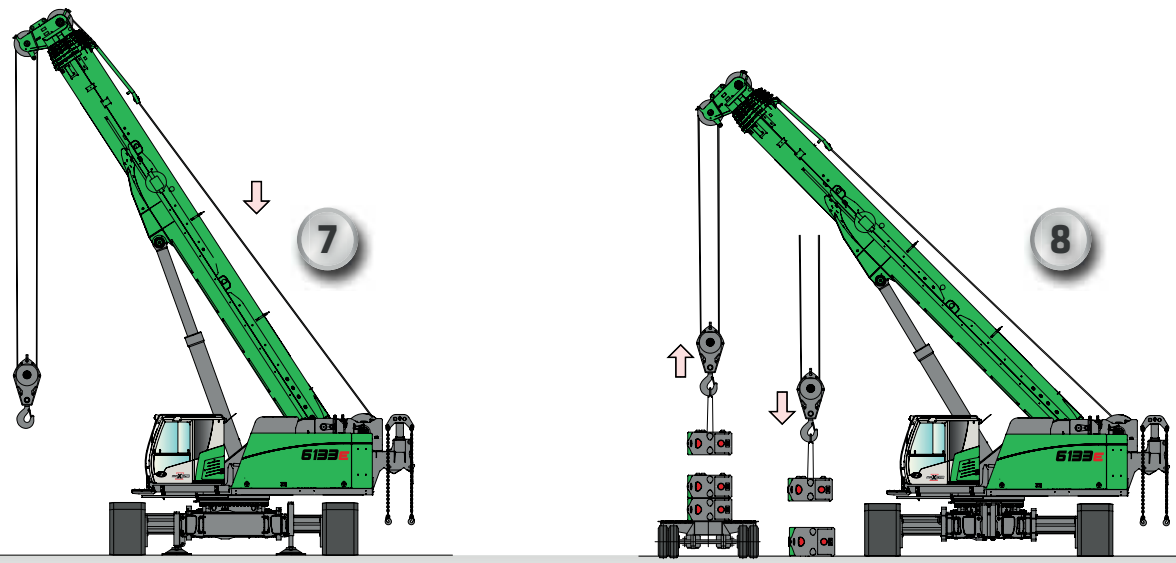
3

4



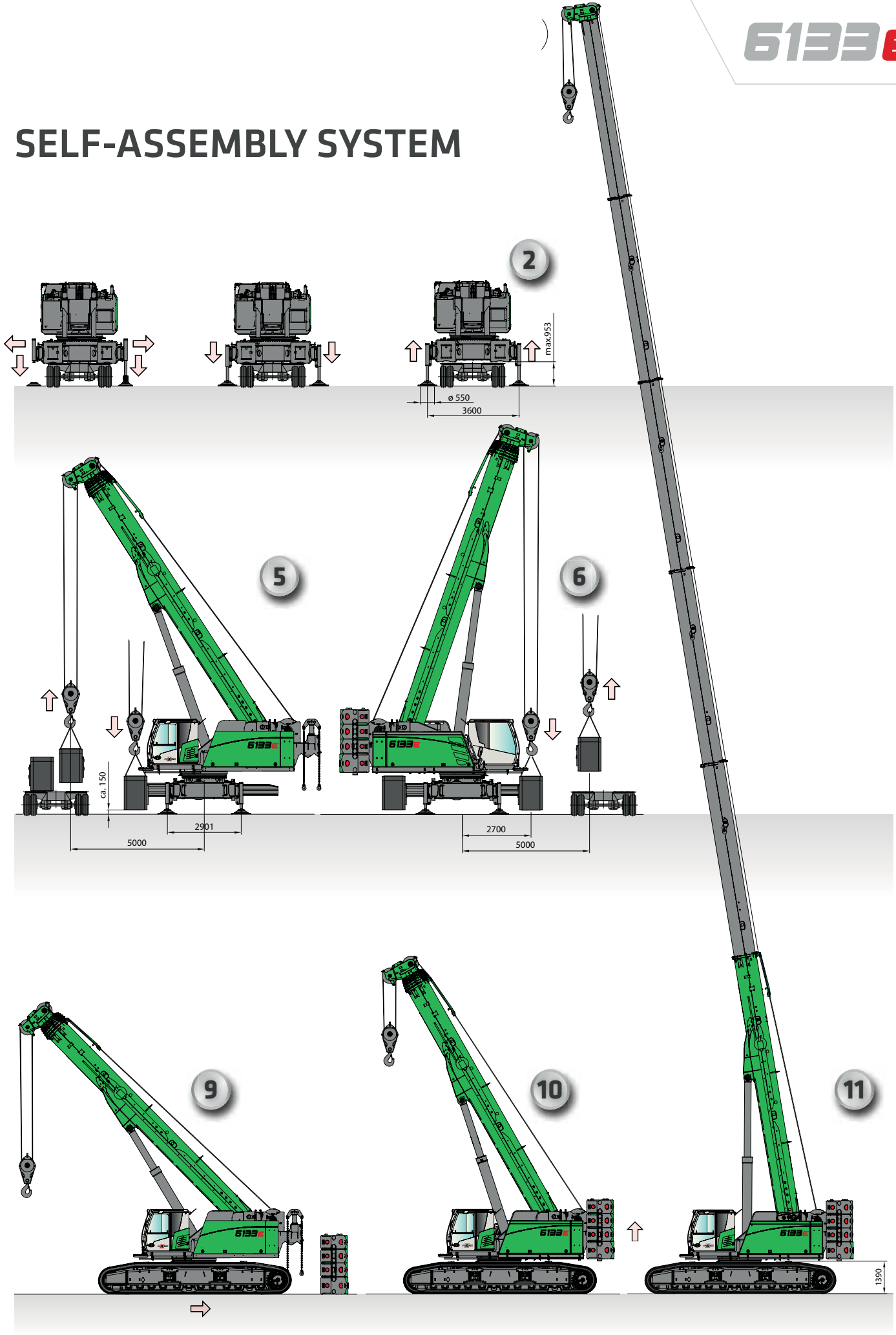
7

8



SELF-ASSEMBLY SYSTEM

# SELF-ASSEMBLY SYSTEM



SELF-ASSEMBLY SYSTEM



Prefabricated component assembly; Germany



Sheet pile installation; Singapore



Construction of a wind farm; Netherlands  
6133 E with optional cab elevation to an eye level of 5.70 m



### SENNEBOGEN ACADEMY

Increase your knowledge because success is based on knowledge. In the SENNEBOGEN Academy, we place great importance on ensuring knowledge flows powerfully.  
➔ [www.sennebogen-academy.com](http://www.sennebogen-academy.com)



### SERVICE AND MAINTENANCE

Comprehensive customer service. And supply of spare parts. Service is a TOP priority for us.  
➔ [www.sennebogen.com/customer-service](http://www.sennebogen.com/customer-service)



### SENtrack

Manage your fleet efficiently with SENtrack: Use information that would otherwise stay hidden and increase your efficiency.  
➔ [www.sennebogen.com/sentrack](http://www.sennebogen.com/sentrack)



### RENTAL & USED

Discover the unique range of rental machines available from SENNEBOGEN Rental & Used. Find your rental machine here:  
➔ [www.sennebogen-rental-used.com](http://www.sennebogen-rental-used.com)

## JOIN OUR OPERATORS' CLUB

The spotlight is on you and your machine! We focus on exclusive information, sharing experiences with other SENNEBOGEN operators as well as fun and enthusiasm.

All the benefits here ➔ [www.sennebogen.com/operators-club](http://www.sennebogen.com/operators-club)



# MOVE BIG THINGS - WITH US!



over **69**  
years of experience

**100 %**  
Family  
company

over **1600**  
experienced  
specialists worldwide

**4**  
production plants  
in Germany

over **180**  
sales and service partners  
around the world

**11**  
different  
telescopic cranes



Telehandler  
3.5-5.5 t

Balancer  
130-300 t

Material handler  
17-420 t

Duty cycle crane  
13.5-300 t

Crawler crane  
50-300 t

Telescopic crane  
16-130 t

Port crane  
300 t

# 6133E | Crawler

Order no. 299270  
6133-E-04210

This catalog describes machine models, the scope of equipment of individual models, and configuration options (standard equipment and optional equipment) of the machines delivered by SENNEBOGEN Maschinenfabrik GmbH. Machine illustrations may contain optional and supplementary equipment. Actual equipment may vary depending on the country to which the machines are delivered, especially in regard to standard and optional equipment. All product designations used may be trademarks of SENNEBOGEN Maschinenfabrik GmbH or other supplying companies, and any use by third parties for their own purposes may violate the rights of the owners.

Please contact your local SENNEBOGEN sales partner for information concerning the equipment variants offered. Requested performance characteristics are only binding if they are expressly stipulated upon conclusion of the contract. Delivery options and technical features are subject to change. All information is supplied without liability. Equipment is subject to change, and rights of advancement are reserved. © SENNEBOGEN Maschinenfabrik GmbH, Straubing, Germany. Reproduction in whole or in part only with written consent of SENNEBOGEN Maschinenfabrik GmbH, Straubing, Germany.

**SENNEBOGEN**  
**Maschinenfabrik GmbH**  
Hebbelstraße 30  
94315 Straubing, Germany

 [www.sennebogen.com](http://www.sennebogen.com)

**MOVE BIG THINGS**

**SALES SENNEBOGEN**  
**Sales Crane Line**  
Tel. +49 9421 540-146  
[cranes@sennebogen.de](mailto:cranes@sennebogen.de)

**SPARE PARTS CENTER**  
**Spare parts orders**  
[spareparts@sennebogen.de](mailto:spareparts@sennebogen.de)

**AFTER SALES**  
**Technical support**  
[service@sennebogen.de](mailto:service@sennebogen.de)

