



80 t TELESCOPIC CRAWLER CRANE

683E

The all-rounder.

The new 80 t telescopic crawler crane in the E series impresses with the tried-and-tested features of SENNEBOGEN telecranes: It is easy to use, robust and reliable.

With a particularly robust design for heavy-duty use on rough construction site terrain, it impresses with its powerful winches and strong Full Power Boom, also for pick and carry tasks and lifting operations on inclines. The telescopic and removable Star Lifter undercarriage and its self-assembly system not only make it particularly flexible in confined spaces, but also make transport between construction sites easier.

More variety

Always work optimally with loading hook, auxiliary jib, 8 m fly jib or fly jib extension to 15 m. Boom lengths of up to 57 m are possible with the fly jib.

More flexibility

The Full-Power Boom telescopes comfortably under load at any length and safely via the joystick. The telescopic crawler undercarriage can be easily adapted to even the tightest construction site conditions.

On site and ready to use fast

Transport can either take place complete with crawler tracks or, thanks to the self-assembly system, the crawler tracks can be removed and re-attached in no time at all, mount the ballast and you're good to go.

Ultimate ease of use

With the 20° tiltable comfort Maxcab as standard, the back-friendly comfort seat, the adjustable armrests and the optimally arranged, resonant control elements.

Maintenance & service

This is made easy with standard components and easy-to-access maintenance and service points.

The new 80 t telescopic crawler crane in pipeline construction.

Advanced. The E Series



LONG SERVICE LIFE, HIGH VALUE RETENTION

- Reliable and powerful thanks to its robust construction and high-quality components
- High resale value, even after many years of use

SOPHISTICATED, STATE-OF-THE-ART TECHNOLOGY

- In the 5th Generation – decades of experience in designing and constructing telescopic cranes

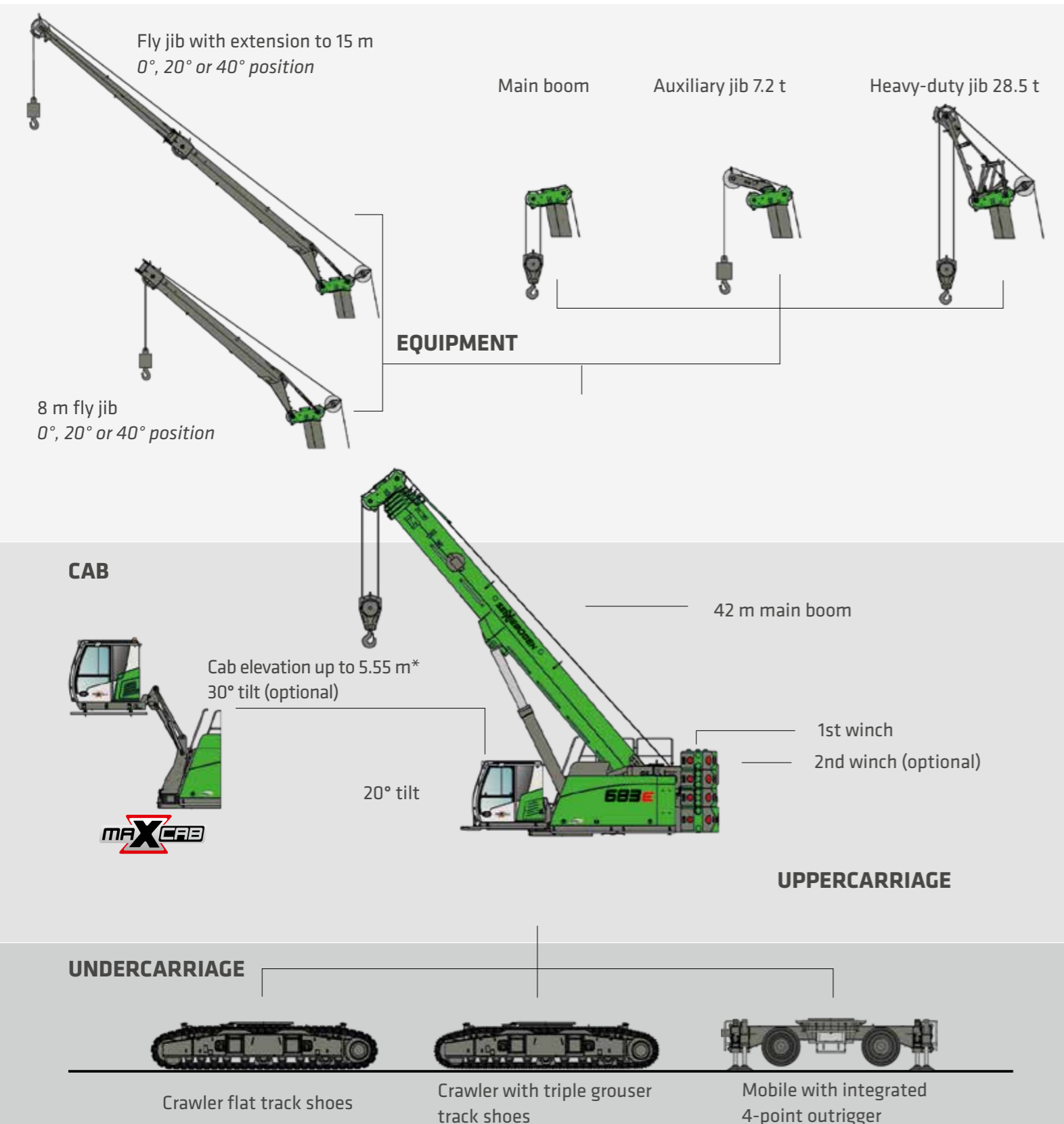
SIMPLE TO MAINTAIN AND SERVICE

- Technology that can be mastered and no over-engineering, easy access to all components

ENVIRONMENTALLY-FRIENDLY DRIVE TECHNOLOGY

- State-of-the-art engine, drive and emission systems in line with the latest technology standards (stage V)
- Large-scale pipes and valves for maximum efficiency

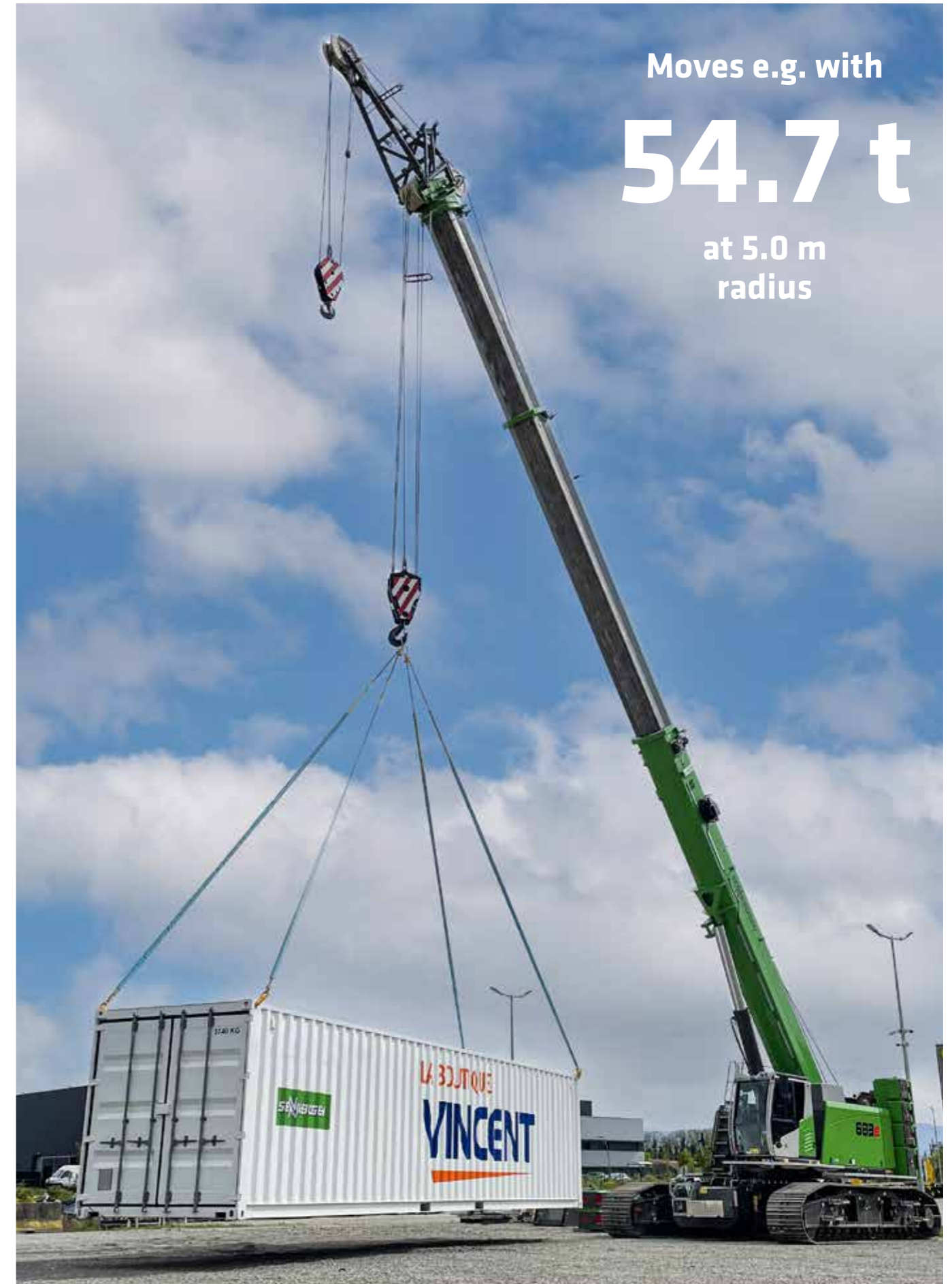
A MODULAR DESIGN. OPTIMUM EQUIPMENT OPTIONS.





COMPACT AND STRONG. WITH MAXIMUM FLEXIBILITY

- High stability and optimum maneuverability even on narrow construction sites thanks to telescopic crawler undercarriage
- Optimal overview when lifting loads thanks to cab with 20° tilt as standard
- Coverage of a large work area and flexibility thanks to a wide range of equipment options
- Operation by radio remote control available

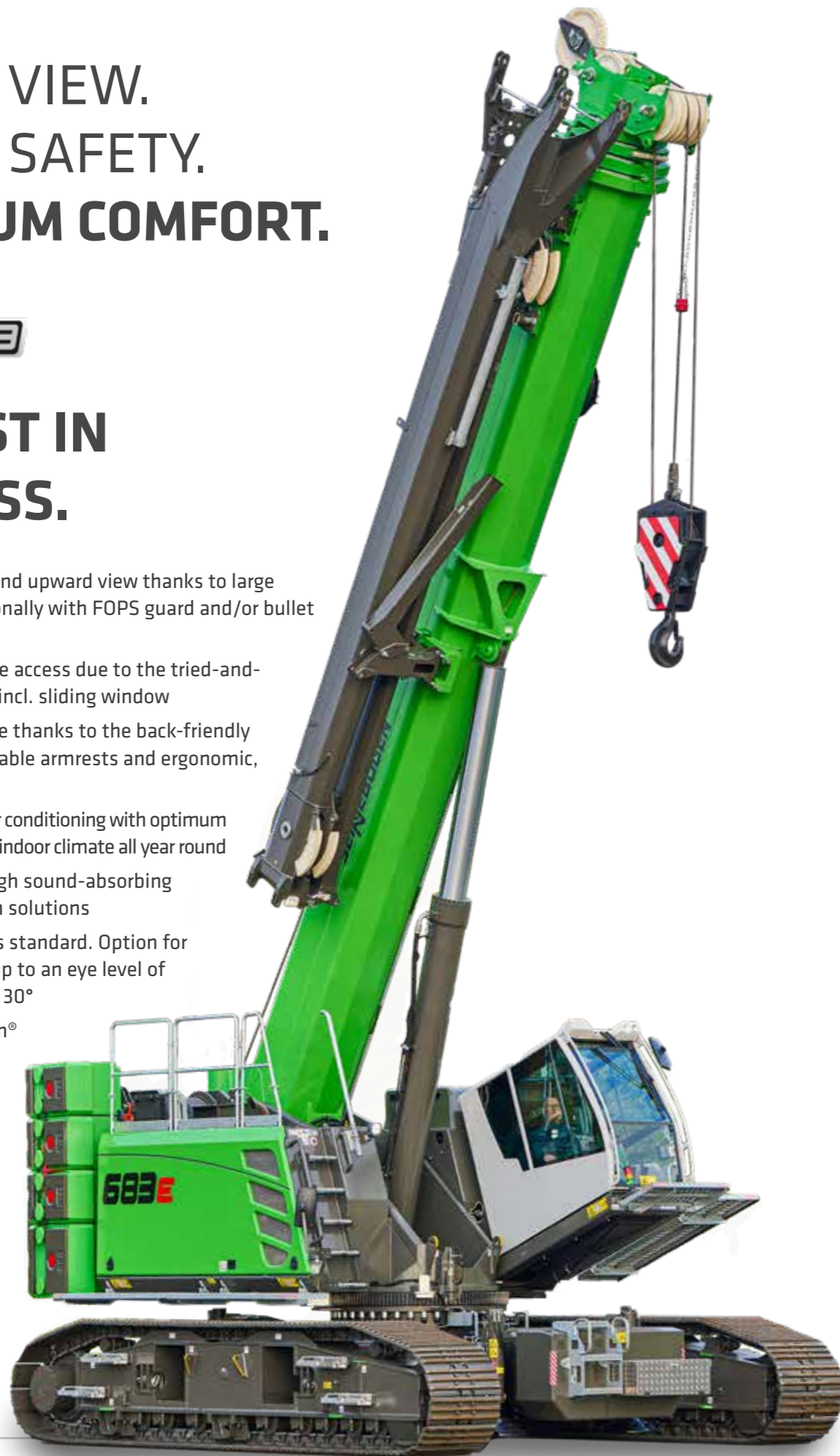


BETTER VIEW.
BETTER SAFETY.
MAXIMUM COMFORT.



THE BEST IN
ITS CLASS.

- Excellent all-round and upward view thanks to large window panes, optionally with FOPS guard and/or bullet proof glass
- Safe and comfortable access due to the tried-and-tested sliding doors incl. sliding window
- Work without fatigue thanks to the back-friendly comfort seat, adjustable armrests and ergonomic, resonant controls
- Automatic heating/air conditioning with optimum air flow for a pleasant indoor climate all year round
- Noise reduced through sound-absorbing materials and design solutions
- Cab tiltable by 20° as standard. Option for hydraulic elevation up to an eye level of 5.55 m and tilt up to 30°
- Radio with Bluetooth®



PANORAMIC VIEW

Tiltable up to **20°**

as standard

Particularly spacious for maximum operator comfort (inner width: 87 cm)

TAKE FULL CONTROL WITH OUR JOYSTICKS

- Joysticks on resonant, seat-mounted consoles
- Comfortable grip thanks to ergonomic design
- Shortcuts for direct and sensitive control of all functions
- Operating comfort thanks to optimized design of buttons and switches



EASY TO TRANSPORT. READY FOR USE QUICKLY.

It is not just with procurement and operating costs that companies can make cost-effective decisions and savings. Astute contractors know that simple and economical transportation between construction sites is an important factor, too.



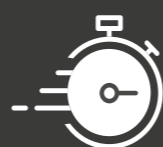
Easy

The machine can be transported with or without crawler tracks. For even easier transport.



Cost-efficient

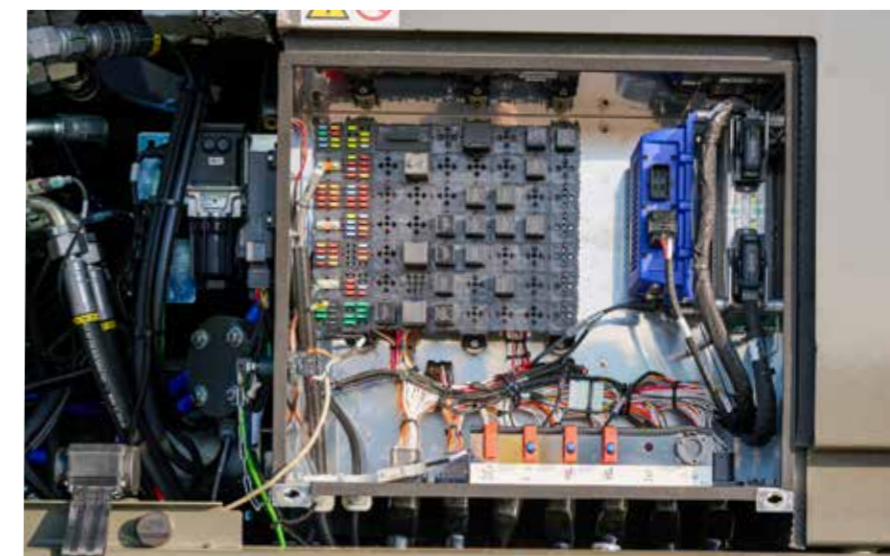
With a transport width of just 3.0 m without crawler tracks, the 683 E fits easily on any standard low-loader.



Quick

The machine is ready for use on site in a short time thanks to the innovative self-assembly system.

MAINTENANCE AND SERVICE. MAKE IT EASY ON YOURSELF.



The SENCON control system supports you with diagnostics and makes troubleshooting easier. So your machine is back in action more quickly.

All maintenance and service points are clearly arranged and easily accessible. The clear labeling of components makes finding your way around easy.

KEEP IT SIMPLE. WITH TECHNOLOGY THAT CAN BE MASTERED.



Reliable and practical technology makes life easier. We rely on hydraulics, electrics and electronics only where they provide the greatest benefit.



We make you happy, not reliant. With cost-effective components and fewer process steps, you can take care of the machine on your own.



At the central electrical distribution board, clearly arranged standard components simplify control and troubleshooting.

TECHNICAL DATA, EQUIPMENT

MACHINE TYPE

MODEL (TYPE) 683 Crawler

ENGINE

TYPE **Stage V:**
Cummins B6.7 FR95885
Rated power: 168 kW/2000 rpm
Operating point standard: 186 kW/2000 rpm
Operating point ECO: 188 kW/1850 rpm

Stage IIIa:
Cummins QSB6.7 FR96045
Rated power: 164 kW/2000 rpm
Operating point standard: 164 kW/2000 rpm
Operating point ECO: 170 kW/1850 rpm

both:
direct injection, turbocharged, charge air cooling, reduced emissions

COOLING Water-cooled

DIESEL FILTER With water separator and heater

AIR FILTER Dry filter with integrated pre-separator, automatic dust discharge, main element and safety element, contamination indicator

FUEL TANK 450 l

ADBLUE TANK 45 l

ELECTRICAL SYSTEM 24 V

BATTERIES 2 x 155 Ah

OPTIONS Low temperature packages

Electric fuel pump

Optional: Additional LED lights on the basic boom



UPPERCARRIAGE

DESIGN Torsion-resistant box design, precision crafted, steel bushings for boom mountings. Service-friendly design, engine installed in the longitudinal direction

ELECTRICAL SYSTEM Central electrical distributor, battery disconnect switch

LIGHTING LED headlights for optimal lighting of the work area

COOLING SYSTEM 3-circuit cooling system with high cooling output, electrically regulated fan drive for cooling water, charged air and oil

SAFETY Camera monitoring of the area to the rear and the right side

Uppercarriage railing

OPTIONS Additional LED headlights

2 LED strobe lights at the rear

Additional cameras

Sea climate resistant coating as corrosion protection

Customized paint finish

Low temperature packages

Autom. central lubrication for boom attachment point, luffing cylinder and live ring track

Pinion tooth lubrication



Optional: Hydro Clean

TECHNICAL DATA, EQUIPMENT

HYDRAULIC SYSTEM / HYDRAULICS

Pump unit attached directly to diesel engine. Load-sensing/LUDV hydraulic system, electro-hydraulic work functions, load limit control, axial piston variable displacement pump. Multiple work functions can be controlled precisely simultaneously and independently from each other thanks to the independent, proportional allocation of the pump flows.

DELIVERY RATE Up to 400 l / min

OPERATING PRESSURE Up to 330 bar

FILTRATION High-performance filtration with long change interval

HYDRAULIC TANK 1250 l

CONTROL SYSTEM Proportional, precision hydraulic control of the movements, 2 servo joysticks for work functions, additional functions via switches and foot pedals – arranged clearly and ergonomically

SAFETY Hydraulic circuits with safety valves
Pipe-fracture safety valves for luffing cylinder and telescopic cylinder

OPTIONS Bio-oil filling

SENNEBOGEN HydroClean micro-filter system (3 µm) with water separator

Hydraulic tank preheating

SLEWING DRIVE

GEARS Compact planetary gear with bent-axis hydraulic engine, integrated brake valves

SLEW BRAKE Spring-loaded multi-disk brake

SLEWING RING Large-scale, externally geared 1-row slewing ring

SLEWING SPEED 0-2 rpm, variable

CAB

MAX CAB

CAB TYPE Maxcab, tilttable 20°

CAB FEATURES Comfortable operator cab with sliding door incl. sliding window, vibration damper, tinted safety glass, opening windshield, skylight, front and rear windshield wipers, 12 V/ 24 V connections, 2 headlights integrated into the front of the roof. Air-sprung comfort operator's seat with seat heating and headrest. Sunblind for skylight. Slew brake via foot pedal.

OPTIONS Hydraulically elevating cab type E270, can elevate up to 2.70 m and tilt by 30°

Auxiliary heating system with timer

Activated-carbon filter for cab

Bullet proof windshield

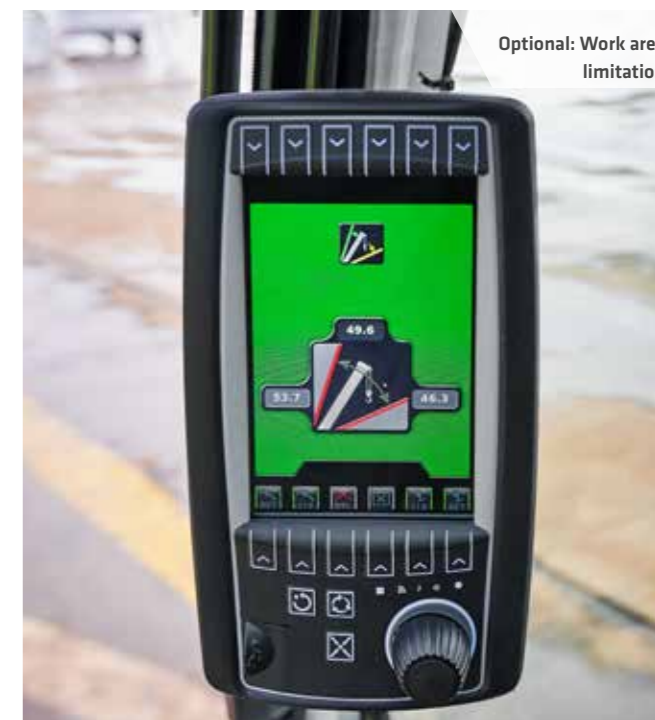
Bullet proof skylight

Protective roof grating

FOPS protective roof grating

Radio with USB and SD connections, MP3 and Bluetooth® functions

Optional: Work area limitation



TECHNICAL DATA, EQUIPMENT

TECHNICAL DATA, EQUIPMENT



EQUIPMENT	
BOOM	5-section with pulley head, hydraulically telescopic end-to-end from 11 to 42 m, luffing from 0° to 80° in approx. 50 seconds; complete telescopic extension in 240 seconds.
CRANE SAFETY	Latest generation of load moment monitoring with event recorder, clear operations panel showing all important data via the SENCON display, lifting limit switch, cable exit protection, pressure relief valves and pipe fracture protection SENtrack telemetry system
CYLINDERS	Hydraulic cylinders with high-quality sealing and guide elements
OPTIONS	<ul style="list-style-type: none"> 8 m fly jib, load capacity 14.7 t at 0°, tiltable (0°, 20°, 40°), can be set up without additional equipment, can be bolted to basic boom when not in use Fly jib extension to 15 m, 7 m extension, load capacity 5.7 t, tiltable (0°, 20°, 40°), can be bolted to basic boom when not in use Auxiliary jib: 7.2 t load capacity, 1-strand 28.5 t heavy-duty jib Customized paint finish Electro-hydraulic emergency unit Radio remote control Programmable working limit Additional load charts accepted for 4° incline position (0.6° and 1.5° in series)



TECHNICAL DATA, EQUIPMENT

TECHNICAL DATA, EQUIPMENT

UNDERCARRIAGE	
DESIGN	Crawler undercarriage T87/419 with removable crawler tracks
DRIVE	Travel drive with axial piston hydraulic engine, directly attached automatically functioning brake valve and compact planetary gears on each running gear side
PARKING BRAKE	Spring-loaded multi-disk brake
CRAWLER TRACKS	Maintenance-free tractor traveling gear with hydraulic track tension. Crawler with 800 mm triple grouser shoes
SPEED	0 - 2.8 km/h
OPTIONS	<ul style="list-style-type: none"> Multi Base: Asymmetric track width adjustment Track shoes in the following equipment: <ul style="list-style-type: none"> 800 mm flat track shoes 900 mm triple grouser shoes 900 mm flat track shoes

WINCH	
The winches are driven via high-pressure-regulated adjustable hydraulic engines, so there is always optimal pulling force speed control. Hydraulic lowering brake valves for sensitive, wear-free braking. Strong oil bath planetary gears, low-maintenance. Holding brakes are spring-loaded, maintenance-free, low-wear disc brakes running in the oil bath, oil-cooled	
72 kN tensile force (5th position), cable speed 0 - 120 m/min., (3rd position) cable diameter 20 mm, max. cable length 180 m	
SAFETY BRAKE	Spring-loaded multi-disk brake
OPTIONS	2nd winch: 72 kN tensile force (5th position), cable speed 0 - 120 m/min., (3rd position) cable diameter 20 mm, max. cable length 180 m

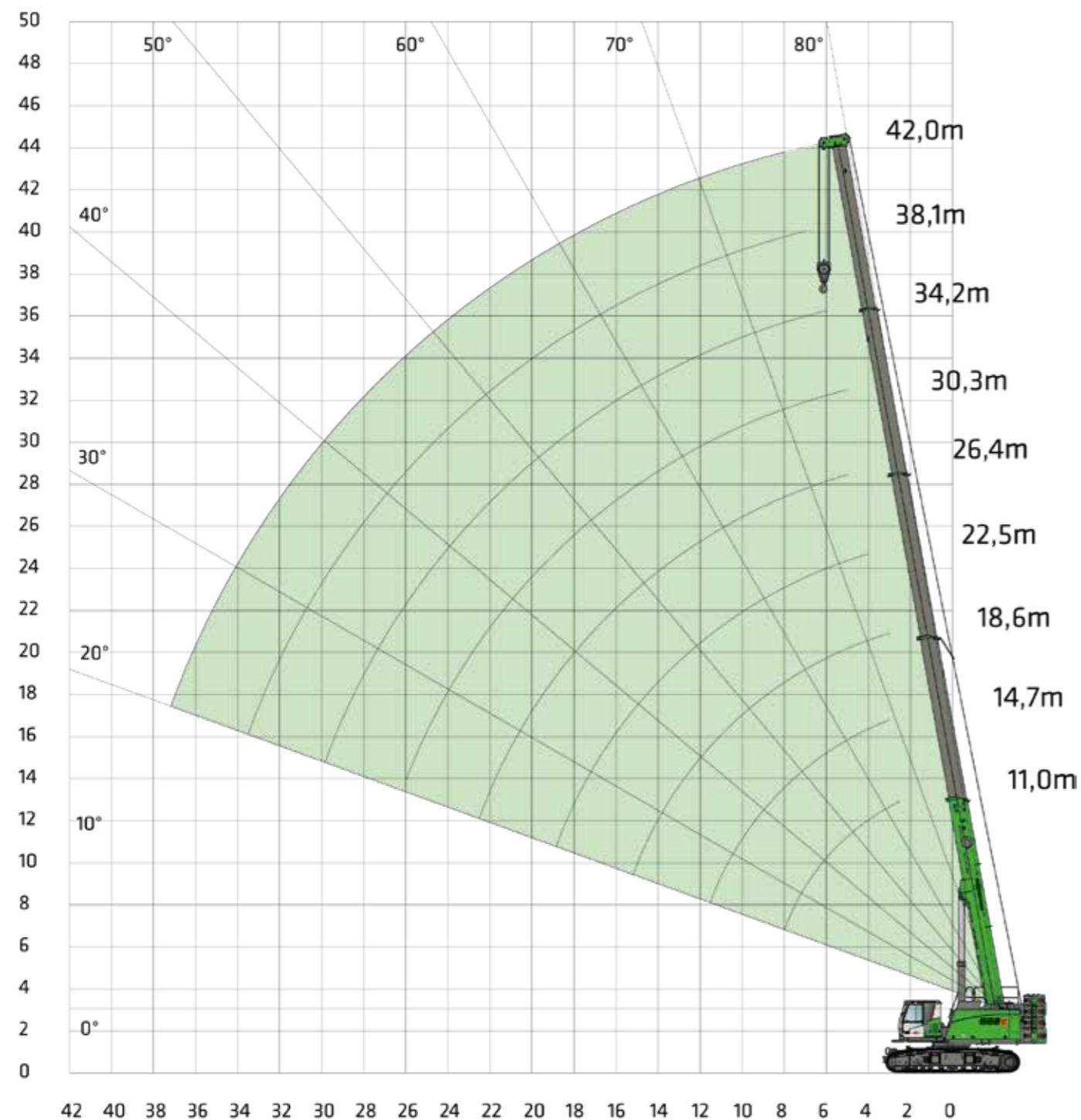


OPERATING WEIGHT	
MASS	approx. 90,500 kg
with 42 m telescopic boom, 15 m fly jib, 50 t hook, triple grouser shoes 800 mm, 2 hoist winches, with hydraulic telescoping undercarriage, 28.3 t rear ballast, 6 t undercarriage ballast	
NOTE	The operating weight varies with the equipment. Subject to technical changes.



CRANE EQUIPMENT


 MAIN BOOM
HA 42 m



LOAD RATINGS

 MAIN BOOM
HA 42 m

 BALLAST
28.3 t

 TRACK WIDTH
4.2 m

 MAX. INCLINATION
0.6 °

 EN  360°

 UNDERCARRIAGE BALLAST
6.0 t

RADIUS [m]	BOOM LENGTH [m]									
	11.0	14.7	18.6	22.5	26.4	30.3	34.2	38.1	42.0	
2.5	80.0									
3.0	72.5	50.0	40.8							
4.0	62.4	50.0	41.3	31.5						
5.0	54.7	50.0	41.0	31.4	26.9	20.0				
6.0	48.3	45.1	38.6	29.8	26.9	20.0	17.6			
7.0	41.7	40.1	34.7	29.4	25.9	20.0	17.7	15.6		
8.0	33.4	32.6	31.5	27.9	24.4	19.9	17.8	15.3	10.7	
9.0		28.4	28.2	25.2	22.1	19.6	17.2	14.9	10.7	
10.0		24.1	23.9	23.0	20.2	18.2	16.2	14.4	10.7	
11.0		20.7	20.6	21.1	18.4	16.6	15.1	13.6	10.7	
12.0		18.1	18.0	18.3	17.0	15.4	14.1	12.7	10.5	
13.0			15.8	16.1	15.7	14.2	13.0	11.9	10.2	
14.0			14.0	14.3	14.5	13.3	12.2	11.3	9.9	
15.0			12.5	12.8	13.0	12.3	11.3	10.6	9.4	
16.0			11.1	11.5	11.7	11.5	10.6	10.0	9.0	
17.0				10.3	10.5	10.8	9.9	9.4	8.5	
18.0				9.3	9.5	9.9	9.4	8.9	8.1	
19.0				8.4	8.7	9.0	8.8	8.4	7.7	
20.0				7.7	7.9	8.3	8.3	7.9	7.3	
21.0					7.2	7.6	7.8	7.5	7.0	
22.0					6.5	6.9	7.4	7.1	6.7	
23.0					5.9	6.4	6.6	6.7	6.4	
24.0					5.4	5.8	6.1	6.4	6.1	
25.0						5.3	5.7	6.0	5.8	
26.0						4.9	5.2	5.7	5.5	
27.0							4.8	5.2	5.3	
28.0							4.4	4.8	5.0	
29.0							4.0	4.4	4.8	
30.0							3.6	4.1	4.6	
31.0								3.8	4.1	
32.0								3.5	3.8	
33.0								3.2	3.5	
34.0								2.9	3.3	
35.0									3.0	
36.0									2.8	
37.0									2.6	
38.0									2.4	
Number of falls	12	7	7	6	5	3	3	3	3	
I	0 %	50 %	100 %	100 %	100 %	100 %	100 %	100 %	100 %	
II	0 %	0 %	0 %	50 %	100 %	100 %	100 %	100 %	100 %	
III	0 %	0 %	0 %	0 %	0 %	50 %	100 %	100 %	100 %	
IV	0 %	0 %	0 %	0 %	0 %	0 %	0 %	50 %	100 %	

Tab.no.: 165601

LOAD RATINGS

MAIN BOOM HA 42 m
 BALLAST 28.3 t
 TRACK WIDTH 4.2 m
 MAX. INCLINATION 1.5 °
 EN
 360°
 UNDERCARRIAGE BALLAST 6.0 t

RADIUS [m]	BOOM LENGTH [m]								
	11.0	14.7	18.6	22.5	26.4	30.3	34.2	38.1	42.0
2.5	80.0								
3.0	72.5	50.0	40.6						
4.0	62.4	50.0	40.6	31.5					
5.0	54.7	50.0	39.8	31.4	26.0	19.9			
6.0	48.3	45.1	37.2	29.3	24.8	19.6	16.6		
7.0	41.7	40.1	34.7	28.5	23.7	19.3	16.1	14.8	
8.0	33.4	33.6	31.5	27.2	22.7	18.7	15.6	14.4	10.8
9.0		27.6	27.5	25.2	21.7	18.0	15.1	14.1	10.8
10.0		23.4	23.3	23.0	20.2	17.3	14.7	13.7	10.8
11.0		20.1	20.1	20.4	18.4	16.6	14.2	13.1	10.8
12.0		17.5	17.5	17.8	17.0	15.4	13.6	12.6	10.5
13.0			15.3	15.6	15.7	14.2	13.0	12.0	10.2
14.0			13.6	13.9	14.1	13.3	12.2	11.3	9.9
15.0			12.0	12.4	12.6	12.3	11.3	10.6	9.5
16.0			10.7	11.1	11.3	11.5	10.6	10.0	9.0
17.0				10.0	10.2	10.6	10.0	9.4	8.5
18.0				9.0	9.2	9.6	9.4	8.9	8.1
19.0				8.1	8.3	8.7	8.8	8.4	7.7
20.0				7.3	7.6	8.0	8.3	7.9	7.3
21.0					6.9	7.3	7.6	7.5	7.0
22.0					6.3	6.7	7.0	7.1	6.7
23.0					5.6	6.1	6.4	6.7	6.4
24.0					5.1	5.6	5.9	6.2	6.1
25.0						5.1	5.4	5.8	5.8
26.0						4.6	4.9	5.3	5.5
27.0							4.5	4.9	5.3
28.0							4.1	4.5	4.9
29.0							3.8	4.2	4.6
30.0							3.4	3.8	4.2
31.0								3.5	3.9
32.0								3.2	3.6
33.0								2.9	3.3
34.0									3.1
35.0									2.8
36.0									2.6
37.0									2.4
38.0									2.2
Number of falls	12	7	7	6	5	3	3	3	3
I	0 %	50 %	100 %	100 %	100 %	100 %	100 %	100 %	100 %
II	0 %	0 %	0 %	50 %	100 %	100 %	100 %	100 %	100 %
III	0 %	0 %	0 %	0 %	0 %	50 %	100 %	100 %	100 %
IV	0 %	0 %	0 %	0 %	0 %	0 %	0 %	50 %	100 %

The load ratings must be reduced if there's a 15 m fly jib folded to the side of the main boom.

Load capacity reduction [kg]	11.0	14.7	18.6	22.5	26.4	30.3	34.2	38.1	42.0
	917	683	540	446	380	331	294	264	239

Tab.no.: 265601

LOAD RATINGS

MAIN BOOM HA 42 m
 BALLAST 14.8 t
 TRACK WIDTH 4.2 m
 MAX. INCLINATION 1.5 °
 EN
 360°
 UNDERCARRIAGE BALLAST 6.0 t

RADIUS [m]	BOOM LENGTH [m]								
	11.0	14.7	18.6	22.5	26.4	30.3	34.2	38.1	42.0
3.0	66.9	41.7							
4.0	57.3	41.7	40.6	28.6					
5.0	50.0	41.7	39.8	28.9	25.0	19.9			
6.0	39.0	37.5	34.5	29.3	24.8	19.6			
7.0	29.9	29.4	28.1	26.9	23.7	19.3	16.1	13.4	
8.0	23.9	23.5	23.2	22.5	21.6	18.7	15.6	13.0	10.3
9.0		19.2	19.1	19.1	18.4	18.0	15.1	12.7	10.3
10.0		16.1	16.0	16.3	15.9	15.8	14.7	12.3	10.3
11.0		13.6	13.6	13.9	13.9	13.9	13.7	12.0	10.3
12.0		11.6	11.6	11.9	12.1	12.2	12.1	11.7	10.1
13.0			10.0	10.3	10.5	10.8	10.8	11.0	9.9
14.0			8.7	9.0	9.2	9.6	9.7	9.9	9.7
15.0			7.6	7.9	8.1	8.5	8.6	8.9	9.0
16.0			6.5	6.9	7.1	7.5	7.8	8.0	8.2
17.0				6.0	6.3	6.7	7.0	7.3	7.4
18.0				5.2	5.5	5.9	6.2	6.6	6.8
19.0				4.5	4.8	5.2	5.6	6.0	6.2
20.0				3.9	4.2	4.6	5.0	5.4	5.6
21.0					3.6	4.1	4.4	4.9	5.2
22.0					3.1	3.6	3.9	4.4	4.7
23.0					2.6	3.1	3.5	3.9	4.3
24.0					2.2	2.7	3.0	3.5	3.8
25.0						2.3	2.7	3.1	3.5
26.0						2.0	2.3	2.8	3.1
27.0							2.0	2.4	2.8
28.0							1.7	2.2	2.5
29.0							1.4	1.9	2.2
30.0							1.2	1.6	2.0
31.0								1.4	1.7
32.0								1.2	1.5
33.0								1.0	1.3
34.0									1.1
35.0									0.9
36.0									0.8
37.0									0.6
Number of falls	10	6	6	5	4	3	3	3	3
I	0 %	50 %	100 %	100 %	100 %	100 %	100 %	100 %	100 %
II	0 %	0 %	0 %	50 %	100 %	100 %	100 %	100 %	100 %
III	0 %	0 %	0 %	0 %	0 %	50 %	100 %	100 %	100 %
IV	0 %	0 %	0 %	0 %	0 %	0 %	0 %	50 %	100 %

Tab.no.: 265501

LOAD RATINGS

MAIN BOOM HA 42 m
 BALLAST 0.0 t
 TRACK WIDTH 4.2 m
 MAX. INCLINATION 1.5°
 EN
 360°
 UNDERCARRIAGE BALLAST 0.0 T

RADIUS [m]	BOOM LENGTH [m]								
	11.0	14.7	18.6	22.5	26.4	30.3	34.2	38.1	42.0
3.0	64.6	41.7							
4.0	39.7	33.9	30.1	27.7					
5.0	27.7	24.1	21.6	20.3	19.0	18.3			
6.0	20.0	18.0	16.2	15.4	14.7	14.3	13.9		
7.0	14.8	14.0	12.6	12.1	11.6	11.4	11.2	11.2	
8.0	11.4	11.0	9.9	9.6	9.3	9.3	9.2	9.3	9.3
9.0		8.5	7.9	7.7	7.4	7.6	7.6	7.7	7.8
10.0		6.7	6.3	6.2	6.0	6.2	6.2	6.5	6.6
11.0		5.2	5.0	5.0	4.9	5.1	5.2	5.4	5.6
12.0		4.0	3.9	3.9	3.9	4.1	4.3	4.6	4.8
13.0			3.0	3.1	3.1	3.3	3.5	3.8	4.1
14.0			2.1	2.3	2.4	2.7	2.9	3.2	3.4
15.0			1.4	1.7	1.7	2.1	2.3	2.6	2.9
16.0			0.8	1.2	1.2	1.5	1.8	2.1	2.4
17.0				0.7	0.7	1.1	1.3	1.7	2.0
18.0						0.7	0.9	1.3	1.6
19.0							0.6	1.0	1.3
20.0								0.6	0.9
21.0								0.4	0.7
22.0									0.4
Number of falls	6	6	4	4	4	4	2	2	2
I	0 %	50 %	100 %	100 %	100 %	100 %	100 %	100 %	100 %
II	0 %	0 %	0 %	50 %	100 %	100 %	100 %	100 %	100 %
III	0 %	0 %	0 %	0 %	0 %	50 %	100 %	100 %	100 %
IV	0 %	0 %	0 %	0 %	0 %	0 %	0 %	50 %	100 %

Tab. no.: 255401








LOAD RATINGS

MAIN BOOM HA 42 m
 BALLAST 28.3 t
 TRACK WIDTH 3.44 m
 MAX. INCLINATION 0.6°
 EN
 360°
 UNDERCARRIAGE BALLAST 6.0 t

RADIUS [m]	BOOM LENGTH [m]								
	11.0	14.7	18.6	22.5	26.4	30.3	34.2	38.1	42.0
7.0	36.1	35.7	34.7	29.4	25.9	20.0	17.7	15.6	
8.0	29.4	29.0	28.8	27.9	24.4	19.9	17.8	15.3	10.7
9.0		24.2	24.0	24.3	22.1	19.6	17.2	14.9	10.7
10.0		20.5	20.4	20.7	20.2	18.2	16.2	14.4	10.7
11.0		17.7	17.6	17.9	18.1	16.6	15.1	13.6	10.7
12.0		15.3	15.3	15.6	15.8	15.4	14.1	12.7	10.5
13.0			13.4	13.7	13.9	14.2	13.0	11.9	10.2
14.0			11.9	12.2	12.4	12.8	12.2	11.3	9.9
15.0			10.5	10.8	11.0	11.4	11.3	10.6	9.4
16.0			9.3	9.7	9.9	10.3	10.6	10.0	9.0
17.0				8.7	8.9	9.3	9.6	9.4	8.5
18.0				7.8	8.0	8.4	8.7	8.9	8.1
19.0				7.0	7.2	7.6	7.9	8.4	7.7
20.0				6.3	6.5	6.9	7.2	7.6	7.3
21.0					5.9	6.3	6.6	7.0	7.0
22.0					5.3	5.7	6.0	6.4	6.7
23.0					4.7	5.2	5.5	5.9	6.2
24.0					4.2	4.7	5.0	5.4	5.7
25.0						4.2	4.6	5.0	5.3
26.0							3.8	4.1	4.9
27.0								3.7	4.5
28.0								3.4	4.2
29.0								3.1	3.9
30.0								2.7	3.5
31.0									2.9
32.0									2.6
33.0									2.4
34.0									2.1
35.0									2.3
36.0									2.1
37.0									1.9
38.0									1.7
Number of falls	6	5	5	5	4	3	3	3	3
I	0 %	50 %	100 %	100 %	100 %	100 %	100 %	100 %	100 %
II	0 %	0 %	0 %	50 %	100 %	100 %	100 %	100 %	100 %
III	0 %	0 %	0 %	0 %	0 %	50 %	100 %	100 %	100 %
IV	0 %	0 %	0 %	0 %	0 %	0 %	0 %	50 %	100 %

Tab. no.: 162601



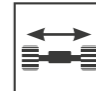
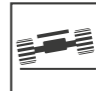



LOAD RATINGS

 MAIN BOOM HA 42 m
 BALLAST 28.3 t
 TRACK WIDTH 3.44 m
 MAX. INCLINATION 1.5°
 EN
 360°
 UNDERCARRIAGE BALLAST 6.0 t

RADIUS [m]	BOOM LENGTH [m]								
	11.0	14.7	18.6	22.5	26.4	30.3	34.2	38.1	42.0
7.0	35.7	35.3	34.7	28.5	23.7	19.3	16.1	13.4	
8.0	29.1	28.7	28.6	27.2	22.7	18.7	15.6	13.0	10.3
9.0		23.9	23.8	24.1	21.7	18.0	15.1	12.7	10.3
10.0		20.3	20.2	20.5	20.2	17.3	14.7	12.3	10.3
11.0		17.4	17.4	17.7	17.9	16.6	14.2	12.0	10.3
12.0		15.1	15.1	15.4	15.6	15.4	13.6	11.7	10.1
13.0			13.3	13.6	13.8	14.2	13.0	11.4	9.9
14.0			11.7	12.0	12.2	12.6	12.2	11.0	9.7
15.0			10.4	10.7	10.9	11.3	11.3	10.6	9.3
16.0			9.2	9.5	9.7	10.1	10.4	10.0	8.9
17.0				8.6	8.8	9.1	9.4	9.4	8.5
18.0				7.7	7.9	8.3	8.6	8.9	8.1
19.0				6.9	7.1	7.5	7.8	8.2	7.7
20.0				6.2	6.4	6.8	7.1	7.5	7.3
21.0					5.8	6.2	6.5	6.9	7.0
22.0					5.2	5.6	5.9	6.3	6.7
23.0					4.6	5.1	5.4	5.8	6.1
24.0					4.1	4.6	4.9	5.3	5.7
25.0						4.1	4.5	4.9	5.2
26.0						3.7	4.1	4.5	4.8
27.0							3.7	4.1	4.5
28.0							3.3	3.7	4.1
29.0							3.0	3.4	3.8
30.0							2.7	3.1	3.5
31.0								2.8	3.2
32.0								2.6	2.9
33.0								2.3	2.7
34.0									2.4
35.0									2.2
36.0									2.0
37.0									1.8
Number of falls	6	5	5	4	3	3	3	3	3
I	0 %	50 %	100 %	100 %	100 %	100 %	100 %	100 %	100 %
II	0 %	0 %	0 %	50 %	100 %	100 %	100 %	100 %	100 %
III	0 %	0 %	0 %	0 %	0 %	50 %	100 %	100 %	100 %
IV	0 %	0 %	0 %	0 %	0 %	0 %	0 %	50 %	100 %

Tab. no.: 262601

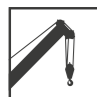






LOAD RATINGS

 MAIN BOOM HA 42 m
 BALLAST 14.8 t
 TRACK WIDTH 3.44 m
 MAX. INCLINATION 1.5°
 EN
 360°
 UNDERCARRIAGE BALLAST 6.0 t

RADIUS [m]	BOOM LENGTH [m]								
	11.0	14.7	18.6	22.5	26.4	30.3	34.2	38.1	42.0
3.0	66.9	41.7							
4.0	57.3	41.7	40.6	28.6					
5.0	43.9	39.6	36.3	28.9	25.0	19.9			
6.0	32.2	31.1	28.6	27.3	24.8	19.6	16.6		
7.0	25.0	24.5	23.4	22.4	21.5	19.3	16.1	13.4	
8.0	20.1	19.7	19.4	18.8	18.1	17.8	15.6	13.0	10.3
9.0		16.1	16.0	15.9	15.4	15.3	15.1	12.7	10.3
10.0		13.5	13.4	13.6	13.3	13.2	13.1	12.3	10.3
11.0		11.4	11.3	11.6	11.5	11.5	11.4	11.6	10.3
12.0		9.7	9.7	10.0	10.0	10.1	10.1	10.3	10.1
13.0			8.3	8.6	8.7	8.9	8.9	9.1	9.3
14.0			7.1	7.4	7.6	7.9	7.9	8.2	8.3
15.0			6.1	6.4	6.6	6.9	7.1	7.3	7.5
16.0			5.1	5.5	5.8	6.1	6.3	6.5	6.8
17.0				4.7	5.0	5.4	5.6	5.9	6.1
18.0				4.0	4.3	4.7	5.0	5.3	5.5
19.0				3.4	3.7	4.1	4.4	4.7	5.0
20.0				2.8	3.1	3.6	3.9	4.3	4.5
21.0					2.6	3.1	3.4	3.8	4.1
22.0					2.2	2.6	3.0	3.4	3.7
23.0					1.8	2.2	2.6	3.0	3.3
24.0					1.4	1.9	2.2	2.6	3.0
25.0						1.5	1.9	2.3	2.7
26.0						1.2	1.6	2.0	2.3
27.0							1.3	1.7	2.1
28.0							1.0	1.4	1.8
29.0							0.8	1.2	1.6
30.0							0.5	1.0	1.3
31.0								0.8	1.1
32.0								0.6	0.9
33.0								0.4	0.7
34.0									0.6
35.0									0.4
Number of falls	10	6	6	4	4	3	3	3	3
I	0 %	50 %	100 %	100 %	100 %	100 %	100 %	100 %	100 %
II	0 %	0 %	0 %	50 %	100 %	100 %	100 %	100 %	100 %
III	0 %	0 %	0 %	0 %	0 %	50 %	100 %	100 %	100 %
IV	0 %	0 %	0 %	0 %	0 %	0 %	0 %	50 %	100 %

Tab. no.: 262501



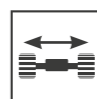
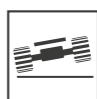


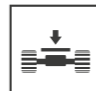
LOAD RATINGS

 MAIN BOOM HA 42 m
 BALLAST 0.0 t
 TRACK WIDTH 3.44 m
 MAX. INCLINATION 1.5°
 EN
 360°
 UNDERCARRIAGE BALLAST 0.0 t

RADIUS [m]	BOOM LENGTH [m]									
	11.0	14.7	18.6	22.5	26.4	30.3	34.2	38.1	42.0	
3.0	47.6	39.8								
4.0	30.5	26.1	23.3	21.5						
5.0	21.7	18.7	16.8	15.8	14.9	14.4				
6.0	15.8	14.0	12.5	11.9	11.4	11.2	10.9			
7.0	11.7	10.7	9.6	9.3	8.9	8.9	8.7	8.8		
8.0	8.9	8.4	7.4	7.2	7.0	7.1	7.0	7.2	7.2	
9.0		6.5	5.8	5.6	5.5	5.6	5.7	5.9	6.1	
10.0		5.0	4.4	4.4	4.3	4.5	4.6	4.8	5.0	
11.0		3.7	3.3	3.3	3.3	3.6	3.7	4.0	4.2	
12.0		2.6	2.4	2.5	2.5	2.8	2.9	3.3	3.5	
13.0			1.7	1.8	1.8	2.1	2.3	2.6	2.9	
14.0			1.0	1.1	1.2	1.5	1.7	2.1	2.3	
15.0			0.4	0.6	0.6	1.0	1.2	1.6	1.9	
16.0						0.5	0.8	1.2	1.5	
17.0							0.4	0.8	1.1	
18.0								0.4	0.7	
19.0									0.4	
Number of falls	6	4	3	3	2	2	2	2	2	
I	0 %	50 %	100 %	100 %	100 %	100 %	100 %	100 %	100 %	
II	0 %	0 %	0 %	50 %	100 %	100 %	100 %	100 %	100 %	
III	0 %	0 %	0 %	0 %	0 %	50 %	100 %	100 %	100 %	
IV	0 %	0 %	0 %	0 %	0 %	0 %	0 %	50 %	100 %	

Tab. no.: 251401

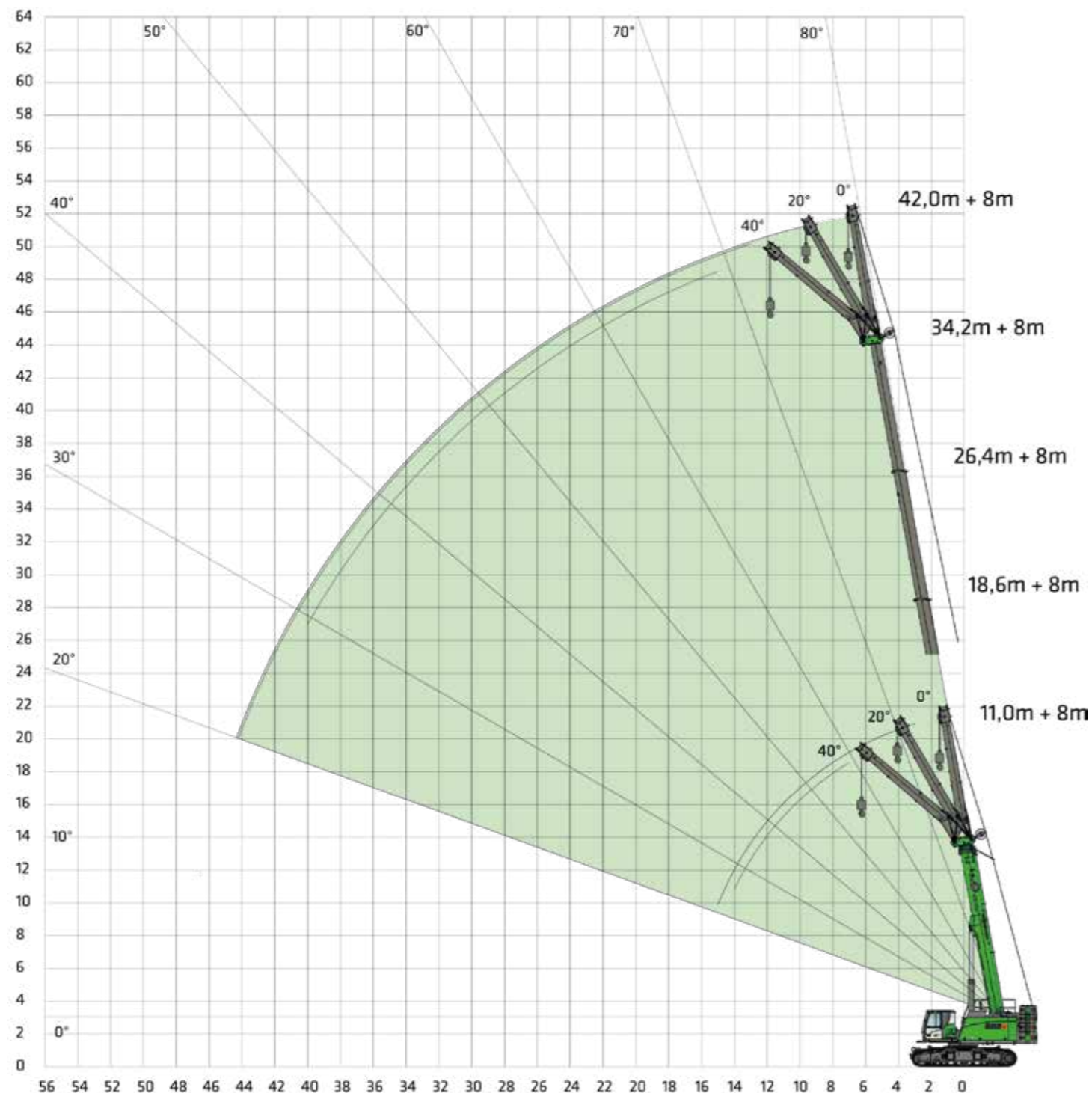
LOAD RATINGS

 MAIN BOOM HA 42 m
 BALLAST 0.0 t
 TRACK WIDTH 2.68 m
 MAX. INCLINATION 1.5°
 EN
 360°
 UNDERCARRIAGE BALLAST 0.0 t

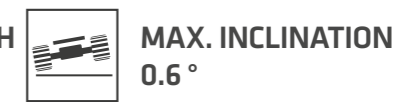
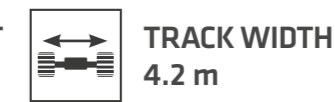
RADIUS [m]	BOOM LENGTH [m]									
	11.0	14.7	18.6	22.5	26.4	30.3	34.2	38.1	42.0	
3.0	32.3	27.2								
4.0	21.4	18.2	16.2	15.0						
5.0	15.3	13.0	11.6	11.0	10.3	10.1				
6.0	11.3	9.6	8.4	8.1	7.7	7.7	7.6			
7.0	8.3	7.1	6.3	6.1	5.8	5.9	5.9	6.0		
8.0	6.2	5.3	4.6	4.5	4.3	4.5	4.6	4.8	4.9	
9.0		3.9	3.3	3.3	3.2	3.4	3.5	3.8	4.0	
10.0		2.8	2.2	2.3	2.2	2.5	2.7	3.0	3.2	
11.0		1.9	1.4	1.5	1.5	1.8	1.9	2.3	2.5	
12.0		1.0	0.7	0.8	0.8	1.1	1.3	1.7	1.9	
13.0						0.6	0.8	1.2	1.4	
14.0								0.7	1.0	
15.0									0.6	
Number of falls	6	4	3	3	2	2	2	2	2	
I	0 %	50 %	100 %	100 %	100 %	100 %	100 %	100 %	100 %	
II	0 %	0 %	0 %	50 %	100 %	100 %	100 %	100 %	100 %	
III	0 %	0 %	0 %	0 %	0 %	50 %	100 %	100 %	100 %	
IV	0 %	0 %	0 %	0 %	0 %	0 %	0 %	50 %	100 %	

Tab. no.: 251401

CRANE EQUIPMENT



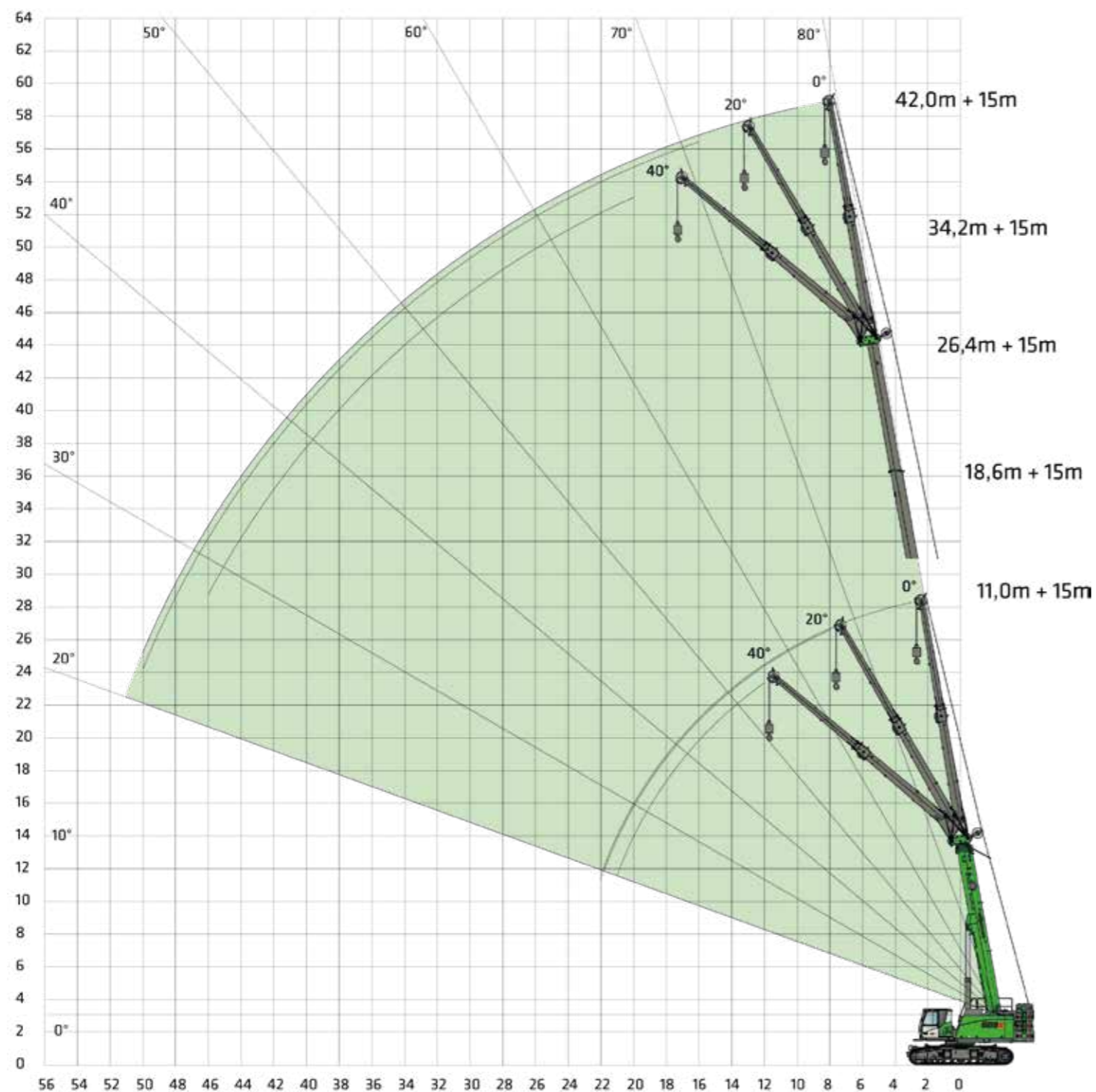
LOAD RATINGS



RADIUS [m]	BOOM LENGTH [m]														
	11.0			18.6			26.4			34.2			42.0		
	8.0	8.0	8.0	8.0	8.0	8.0	8.0	8.0	8.0	8.0	8.0	8.0	8.0	8.0	
	0°	20°	40°	0°	20°	40°	0°	20°	40°	0°	20°	40°	0°	20°	40°
3.0	14.7			14.6											
4.0	13.6	10.0		14.5											
5.0	12.4	9.4		14.1			13.6								
6.0	11.4	8.9		13.2	9.5		13.0								
7.0	10.5	8.4	6.9	12.3	9.1		12.4			10.5					
8.0	9.7	8.0	6.6	11.6	8.7	6.9	11.8	8.8		10.2					
9.0	9.1	7.6	6.3	11.0	8.4	6.7	11.3	8.5		10.0			6.0		
10.0	8.5	7.2	6.1	10.4	8.1	6.5	10.8	8.2	6.5	9.8	7.9		6.0		
11.0	8.0	6.9	5.9	9.9	7.8	6.3	10.4	8.0	6.4	9.5	7.7		6.0		
12.0	7.5	6.6	5.7	9.4	7.6	6.1	10.0	7.8	6.2	9.3	7.5	6.0	6.0		
13.0	7.1	6.3	5.6	9.0	7.3	6.0	9.6	7.6	6.1	9.1	7.3	5.9	6.0	6.3	
14.0	6.7	6.1	5.5	8.6	7.0	5.9	9.2	7.4	6.0	8.8	7.2	5.8	6.0	6.2	
15.0	6.3	6.0		8.2	6.8	5.7	8.9	7.2	5.9	8.5	7.0	5.7	6.0	6.2	5.3
16.0				7.9	6.6	5.6	8.6	7.1	5.8	8.2	6.9	5.6	6.0	6.1	5.2
17.0				7.6	6.4	5.5	8.3	6.9	5.7	7.8	6.8	5.6	6.0	5.9	5.2
18.0				7.2	6.3	5.5	8.1	6.7	5.6	7.4	6.7	5.5	5.8	5.7	5.1
19.0				6.9	6.1	5.4	7.8	6.6	5.5	7.0	6.5	5.4	5.5	5.4	5.0
20.0				6.7	6.0	5.3	7.6	6.4	5.4	6.7	6.4	5.3	5.3	5.2	5.0
21.0				6.4	5.9		7.3	6.3	5.3	6.3	6.3	5.3	5.0	5.0	4.9
22.0				6.2	5.8		7.1	6.1	5.3	6.0	6.0	5.2	4.8	4.8	4.8
23.0							6.8	6.0	5.2	5.7	5.8	5.1	4.6	4.6	4.6
24.0							6.1	5.9	5.1	5.4	5.5	5.1	4.4	4.4	4.4
25.0							5.7	5.8	5.1	5.1	5.2	5.0	4.2	4.2	4.2
26.0							5.2	5.5	5.1	4.8	4.9	4.9	4.1	4.0	4.1
27.0							4.8	5.0		4.6	4.7	4.8	3.9	3.9	3.9
28.0							4.4	4.6		4.3	4.4	4.5	3.7	3.7	3.8
29.0							4.0	4.2		4.1	4.2	4.3	3.6	3.6	3.6
30.0							3.7	3.8		3.9	4.0	4.1	3.4	3.4	3.5
31.0										3.7	3.8	3.9	3.3	3.3	3.3
32.0										3.4	3.6	3.7	3.2	3.2	3.2
33.0										3.1	3.4	3.5	3.0	3.0	3.1
34.0										2.8	3.0		2.9	2.9	3.0
35.0										2.6	2.7		2.8	2.8	2.8
36.0										2.3	2.5		2.6	2.7	2.7
37.0										2.1	2.2		2.5	2.6	2.6
38.0											2.0		2.4	2.4	2.5
39.0													2.2	2.3	2.4
40.0													2.1	2.2	2.2
41.0													1.8	2.1	
42.0													1.7	1.8	
43.0													1.5	1.6	
44.0													1.4	1.4	
45.0													1.2	1.3	
46.0														1.1	
Number of falls	2	2	2	2	2	2	2	2	2	2	2	2	2	2	2
I		0 %			100 %			100 %			100 %			100 %	
II		0 %			0 %			100 %			100 %			100 %	
III		0 %			0 %			0 %			100 %			100 %	
IV		0 %			0 %			0 %			0 %			100 %	

CRANE EQUIPMENT

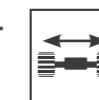
 FLY JIB
SA 15 m




LOAD RATINGS

 FLY JIB
SA 15 m

 BALLAST
28.3 t

 TRACK WIDTH
4.2 m

 MAX. INCLINATION
0.6°

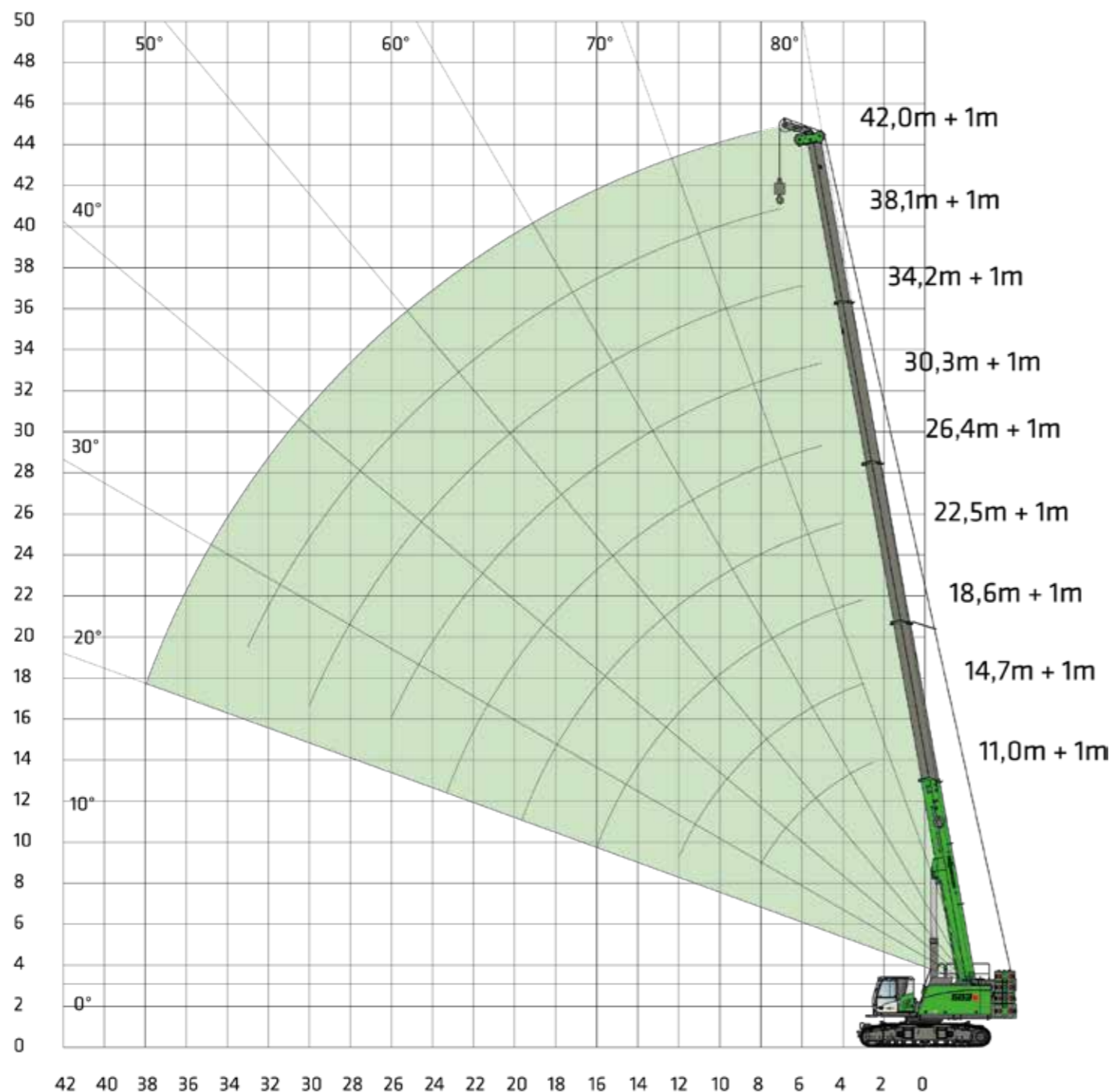
 EN  360°

 UNDERCARRIAGE BALLAST
6.0 t

RADIUS [m]	BOOM LENGTH [m]														
	11.0			18.6			26.4			34.2			42.0		
	0°	20°	40°	0°	20°	40°	0°	20°	40°	0°	20°	40°	0°	20°	40°
3.0	5.7														
4.0	5.6														
5.0	5.5			5.1											
6.0	5.4			5.0			5.0								
7.0	5.2			4.9			4.9								
8.0	5.0	4.1		4.7			4.8				4.3				
9.0	4.8	3.9		4.6			4.8				4.3				
10.0	4.5	3.7		4.4	3.9		4.7				4.2			2.8	
11.0	4.2	3.5		4.3	3.8		4.6				4.2			2.8	
12.0	4.0	3.4	2.9	4.1	3.6		4.5	3.7			4.1			2.8	
13.0	3.8	3.2	2.8	3.9	3.5		4.4	3.6			4.0			2.8	
14.0	3.6	3.1	2.7	3.7	3.4	2.8	4.3	3.5			4.0	3.5		2.8	
15.0	3.4	3.0	2.6	3.6	3.3	2.8	4.2	3.4			3.9	3.4		2.8	
16.0	3.2	2.9	2.6	3.4	3.2	2.7	4.1	3.3	2.7		3.8	3.3		2.8	3.0
17.0	3.1	2.8	2.5	3.3	3.1	2.6	4.1	3.2	2.7		3.8	3.2		2.8	3.0
18.0	2.9	2.7	2.5	3.2	3.0	2.6	4.0	3.1	2.6		3.7	3.2	2.6	2.8	2.9
19.0	2.8	2.6	2.4	3.1	2.9	2.6	3.8	3.1	2.6		3.7	3.1	2.6	2.8	2.9
20.0	2.7	2.5	2.4	3.0	2.8	2.5	3.7	3.0	2.6		3.6	3.0	2.6	2.8	2.9
21.0	2.6	2.5	2.4	2.9	2.7	2.5	3.6	2.9	2.5		3.5	3.0	2.5	2.8	2.8
22.0	2.5	2.4		2.8	2.7	2.4	3.4	2.8	2.5		3.5	2.9	2.5	2.8	2.8
23.0				2.7	2.6	2.4	3.3	2.8	2.5		3.4	2.8	2.5	2.8	2.7
24.0				2.6	2.6	2.4	3.2	2.7	2.4		3.3	2.8	2.4	2.8	2.7
25.0				2.5	2.5	2.4	3.1	2.7	2.4		3.3	2.7	2.4	2.8	2.6
26.0				2.5	2.5	2.4	3.0	2.6	2.4		3.2	2.7	2.4	2.8	2.6
27.0				2.4	2.4	2.4	3.0	2.6	2.4		3.1	2.6	2.4	2.8	2.6
28.0				2.3	2.4		2.9	2.5	2.3		3.1	2.6	2.3	2.7	2.5
29.0				2.3	2.4		2.8	2.5	2.3		3.0	2.5	2.3	2.7	2.5
30.0					2.4		2.7	2.5	2.3		2.9	2.5	2.3	2.7	2.4
31.0							2.7	2.4	2.3		2.8	2.5	2.3	2.6	2.4
32.0							2.6	2.4	2.3		2.8	2.4	2.3	2.6	2.4
33.0							2.5	2.4	2.3		2.7	2.4	2.2	2.6	2.3
34.0							2.5	2.3	2.3		2.7	2.4	2.2	2.5	2.3
35.0							2.4	2.3			2.6	2.3	2.2	2.5	2.3
36.0							2.4	2.3			2.6	2.3	2.2	2.5	2.3
37.0								2.3			2.5	2.3	2.2	2.4	2.2
38.0								2.3			2.5	2.3	2.2	2.4	2.2
39.0											2.4	2.2	2.2	2.3	2.2
40.0											2.1	2.2	2.2	2.2	2.2
41.0											1.9	2.2		2.1	2.1
42.0											1.8	2.0		2.0	2.1
43.0											1.6	1.8		2.0	2.0
44.0											1.5	1.6		1.9	2.0
45.0												1.4		1.6	1.9
46.0														1.5	1.8
47.0														1.2	1.4
48.0														1.0	1.2
49.0														0.8	0.9
50.0														0.6	0.6
Number of falls	2	2	2	2	2	2	2	2	2	2	2	2	2	2	2
I		0%			100%			100%			100%			100%	
II		0%			0%			100%			100%			100%	
III		0%			0%			0%			100%			100%	
IV		0%			0%			0%			0%			100%	

CRANE EQUIPMENT

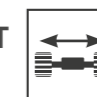
 AUXILIARY JIB HA-S



LOAD RATINGS

 AUXILIARY JIB HA-S

 BALLAST 28.3 t

 TRACK WIDTH 4.2 m

 MAX. INCLINATION 1.5°


 EN  360°

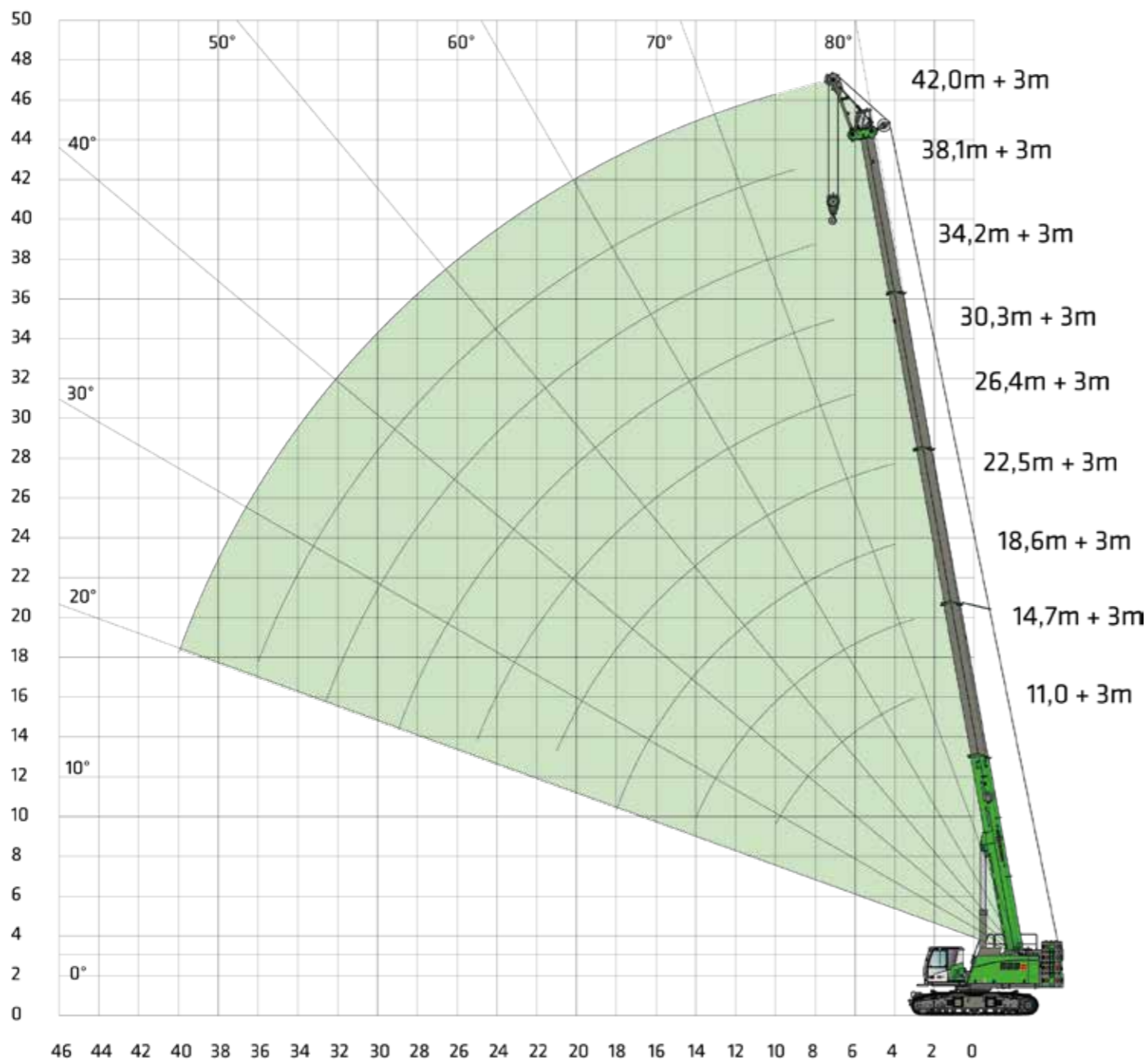
 UNDERCARRIAGE BALLAST 6.0 t

RADIUS [m]	BOOM LENGTH [m]								
	11.0	14.7	18.6	22.5	26.4	30.3	34.2	38.1	42.0
1.0	1.0	1.0	1.0	1.0	1.0	1.0	1.0	1.0	1.0
2.5	7.2								
3.0	7.2	7.2	7.2						
4.0	7.2	7.2	7.2	7.2					
5.0	7.2	7.2	7.2	7.2	7.2	7.2			
6.0	7.2	7.2	7.2	7.2	7.2	7.2	7.2		
7.0	7.2	7.2	7.2	7.2	7.2	7.2	7.2	7.2	
8.0	7.2	7.2	7.2	7.2	7.2	7.2	7.2	7.2	7.2
9.0		7.2	7.2	7.2	7.2	7.2	7.2	7.2	7.2
10.0		7.2	7.2	7.2	7.2	7.2	7.2	7.2	7.2
11.0		7.2	7.2	7.2	7.2	7.2	7.2	7.2	7.2
12.0		7.2	7.2	7.2	7.2	7.2	7.2	7.2	7.2
13.0			7.2	7.2	7.2	7.2	7.2	7.2	7.2
14.0			7.2	7.2	7.2	7.2	7.2	7.2	7.2
15.0			7.2	7.2	7.2	7.2	7.2	7.2	7.2
16.0			7.2	7.2	7.2	7.2	7.2	7.2	7.2
17.0				7.2	7.2	7.2	7.2	7.2	7.2
18.0				7.2	7.2	7.2	7.2	7.2	7.2
19.0				7.2	7.2	7.2	7.2	7.2	7.2
20.0				7.2	7.2	7.2	7.2	7.2	7.2
21.0					7.0	7.2	7.2	7.2	7.0
22.0					6.4	6.8	7.1	7.1	6.7
23.0					5.8	6.2	6.5	6.7	6.4
24.0					5.2	5.7	6.0	6.4	6.1
25.0						5.2	5.5	5.8	5.8
26.0						4.7	5.1	5.3	5.5
27.0							4.6	4.9	5.3
28.0							4.2	4.5	5.0
29.0							3.9	4.2	4.5
30.0							3.5	3.9	4.2
31.0								3.5	3.9
32.0								3.2	3.6
33.0								3.0	3.3
34.0									3.1
35.0									2.8
36.0									2.6
37.0									2.4
38.0									2.4
Number of falls	1	1	1	1	1	1	1	1	1
I	0 %	50 %	100 %	100 %	100 %	100 %	100 %	100 %	100 %
II	0 %	0 %	0 %	50 %	100 %	100 %	100 %	100 %	100 %
III	0 %	0 %	0 %	0 %	0 %	50 %	100 %	100 %	100 %
IV	0 %	0 %	0 %	0 %	0 %	0 %	0 %	50 %	100 %

Tab. no.: 265631

CRANE EQUIPMENT

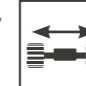
 **MAIN BOOM**
HA 42 m + SLS (heavy-duty jib)



LOAD RATINGS

 **MAIN BOOM**
HA 42 m + SLS

 **BALLAST**
28.3 t

 **TRACK WIDTH**
4.2 m

 **MAX. INCLINATION**
0.6 °








EN 

 **UNDERCARRIAGE BALLAST**
6.0 t

RADIUS [m]	BOOM LENGTH [m]								
	11.0	14.7	18.6	22.5	26.4	30.3	34.2	38.1	42.0
3.0	28.5	28.5							
4.0	28.5	28.5	28.5	24.4					
5.0	28.5	28.5	28.5	24.6					
6.0	27.0	28.4	28.5	24.9	24.1				
7.0	25.7	27.8	28.3	25.1	23.8	19.7			
8.0	24.7	26.6	27.6	24.5	22.1	19.2	16.2		
9.0	23.9	25.6	26.1	22.6	20.0	18.2	15.3	13.4	
10.0	23.4	24.7	23.9	20.7	18.3	16.7	14.4	12.5	9.8
11.0		21.4	21.1	18.9	16.7	15.3	13.5	11.7	9.6
12.0		18.7	18.5	17.4	15.4	14.2	12.6	11.0	9.3
13.0		16.5	16.3	16.1	14.2	13.1	11.8	10.3	9.0
14.0		14.6	14.4	14.5	13.1	12.2	11.0	9.7	8.5
15.0			12.9	13.0	12.2	11.3	10.3	9.1	8.1
16.0			11.5	11.7	11.3	10.5	9.6	8.6	7.6
17.0			10.4	10.5	10.6	9.8	9.0	8.1	7.2
18.0			9.3	9.5	9.6	9.2	8.4	7.7	6.8
19.0				8.6	8.7	8.6	7.9	7.3	6.5
20.0				7.8	7.9	8.1	7.4	6.9	6.2
21.0				7.1	7.2	7.6	6.9	6.5	5.9
22.0					6.6	6.8	6.5	6.2	5.6
23.0					5.9	6.3	6.1	5.8	5.3
24.0					5.4	5.7	5.8	5.5	5.1
25.0					4.8	5.2	5.4	5.2	4.8
26.0						4.7	5.0	4.9	4.6
27.0						4.3	4.5	4.6	4.4
28.0						3.9	4.1	4.3	4.2
29.0						3.5	3.8	4.1	3.9
30.0							3.4	3.8	3.7
31.0							3.1	3.4	3.5
32.0							2.8	3.1	3.3
33.0							2.5	2.9	3.1
34.0								2.6	3.0
35.0								2.3	2.8
36.0								2.1	2.4
37.0									2.2
38.0									2.0
39.0									1.8
40.0									1.6
Number of falls	4	4	4	4	4	3	3	3	2
I	0 %	50 %	100 %	100 %	100 %	100 %	100 %	100 %	100 %
II	0 %	0 %	0 %	50 %	100 %	100 %	100 %	100 %	100 %
III	0 %	0 %	0 %	0 %	0 %	50 %	100 %	100 %	100 %
IV	0 %	0 %	0 %	0 %	0 %	0 %	0 %	50 %	100 %

Tab. no.: 165635



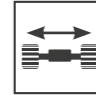
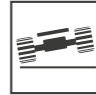



LOAD RATINGS

 MAIN BOOM HA 42 m + SLS
 BALLAST 28.3 t
 TRACK WIDTH 4.2 m
 MAX. INCLINATION 1.5°
 EN
 360°
 UNDERCARRIAGE BALLAST 6.0 t

RADIUS [m]	BOOM LENGTH [m]								
	11.0	14.7	18.6	22.5	26.4	30.3	34.2	38.1	42.0
3.0	28.5	28.5							
4.0	27.5	28.3	27.6						
5.0	26.0	27.5	26.4	22.9	18.6				
6.0	24.8	26.3	24.9	21.8	17.8	15.0			
7.0	23.7	25.3	23.6	20.8	17.1	14.4	11.7		
8.0	22.9	24.3	22.4	19.8	16.4	13.9	11.3	9.7	
9.0	22.2	23.5	21.3	18.9	15.7	13.4	10.9	9.4	7.2
10.0	21.8	22.9	20.3	18.2	15.1	12.9	10.6	9.1	7.2
11.0		21.2	19.3	17.4	14.5	12.5	10.3	8.9	7.2
12.0		18.5	18.4	16.7	14.0	12.1	10.0	8.7	7.2
13.0		16.3	16.1	15.9	13.5	11.6	9.7	8.4	7.1
14.0			14.3	14.4	12.9	11.3	9.4	8.2	7.0
15.0			12.7	12.8	12.2	10.9	9.1	8.0	6.9
16.0			11.4	11.5	11.3	10.3	8.8	7.8	6.8
17.0			10.2	10.4	10.6	9.7	8.6	7.6	6.6
18.0			9.2	9.4	9.5	9.1	8.2	7.4	6.4
19.0				8.5	8.6	8.5	7.8	7.2	6.3
20.0				7.7	7.8	8.0	7.3	6.9	6.0
21.0				7.0	7.1	7.5	6.9	6.5	5.8
22.0					6.5	6.7	6.5	6.2	5.6
23.0					5.8	6.2	6.1	5.8	5.3
24.0					5.3	5.6	5.7	5.5	5.1
25.0					4.8	5.1	5.4	5.2	4.8
26.0						4.6	4.9	4.9	4.6
27.0						4.2	4.5	4.6	4.4
28.0						3.8	4.1	4.3	4.2
29.0						3.4	3.7	4.1	3.9
30.0							3.3	3.7	3.7
31.0							3.0	3.4	3.5
32.0							2.7	3.1	3.3
33.0							2.4	2.8	3.1
34.0								2.5	3.0
35.0								2.3	2.6
36.0								2.0	2.3
37.0								1.8	2.1
38.0									1.9
39.0									1.7
40.0									1.5
Number of falls	4	4	4	4	3	3	2	2	2
I	0 %	50 %	100 %	100 %	100 %	100 %	100 %	100 %	100 %
II	0 %	0 %	0 %	50 %	100 %	100 %	100 %	100 %	100 %
III	0 %	0 %	0 %	0 %	0 %	50 %	100 %	100 %	100 %
IV	0 %	0 %	0 %	0 %	0 %	0 %	0 %	50 %	100 %

Tab. no.: 2655635

LOAD RATINGS

 MAIN BOOM HA 42 m + SLS
 BALLAST 28.3 t
 TRACK WIDTH 3.44 m
 MAX. INCLINATION 1.5°
 EN
 360°
 UNDERCARRIAGE BALLAST 6.0 t

RADIUS [m]	BOOM LENGTH [m]								
	11.0	14.7	18.6	22.5	26.4	30.3	34.2	38.1	42.0
7.0	23.7	25.3	23.6	20.8	17.1	14.4	11.7		
8.0	22.9	24.3	22.4	19.8	16.4	13.9	11.3	9.7	
9.0	22.2	23.5	21.3	18.9	15.7	13.4	10.9	9.4	7.2
10.0	21.8	21.3	20.3	18.2	15.1	12.9	10.6	9.1	7.2
11.0		18.4	18.1	17.4	14.5	12.5	10.3	8.9	7.2
12.0		16.0	15.8	15.9	14.0	12.1	10.0	8.7	7.2
13.0		14.1	13.9	14.0	13.5	11.6	9.7	8.4	7.1
14.0			12.3	12.4	12.5	11.3	9.4	8.2	7.0
15.0			10.9	11.0	11.1	10.9	9.1	8.0	6.9
16.0			9.8	9.9	10.0	10.3	8.8	7.8	6.8
17.0			8.7	8.9	9.0	9.2	8.6	7.6	6.6
18.0			7.8	8.0	8.1	8.3	8.2	7.4	6.4
19.0				7.2	7.3	7.6	7.8	7.2	6.3
20.0				6.5	6.6	6.9	7.1	6.9	6.0
21.0				5.8	5.9	6.2	6.5	6.5	5.8
22.0					5.3	5.6	5.9	6.2	5.6
23.0					4.8	5.1	5.3	5.7	5.3
24.0					4.2	4.6	4.8	5.2	5.1
25.0					3.8	4.1	4.4	4.7	4.8
26.0						3.7	3.9	4.3	4.6
27.0						3.3	3.6	3.9	4.2
28.0						2.9	3.2	3.5	3.8
29.0						2.6	2.9	3.2	3.5
30.0							2.5	2.9	3.2
31.0							2.2	2.6	2.9
32.0							2.0	2.3	2.6
33.0							1.7	2.1	2.4
34.0								1.8	2.1
35.0								1.6	1.9
36.0								1.4	1.7
37.0								1.2	1.5
38.0									1.3
39.0									1.1
40.0									1.0
Number of falls	4	4	4	4	3	3	2	2	2
I	0 %	50 %	100 %	100 %	100 %	100 %	100 %	100 %	100 %
II	0 %	0 %	0 %	50 %	100 %	100 %	100 %	100 %	100 %
III	0 %	0 %	0 %	0 %	0 %	50 %	100 %	100 %	100 %
IV	0 %	0 %	0 %	0 %	0 %	0 %	0 %	50 %	100 %

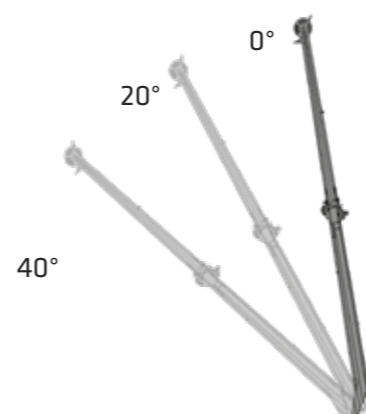
Tab. no.: 262635

LOAD CAPACITY SCHEDULES

		MAIN BOOM HA			AUXILIARY JIB HA-S			HEAVY-DUTY JIB SLS		
UNDERCARRIAGE TRACK WIDTH		4.2 m	3.44 m	2.68 m	4.2 m	3.44 m	2.68 m	4.2 m	3.44 m	2.68 m
Ballast [t]	Under-carriage ballast [t]									
		360°	360°	-	360°	360°	-	360°	360°	-
		360°	360°	-	360°	360°	-	360°	360°	-
		360°	360°	360°	360°	360°	360°	360°	360°	360°

		FLY JIB SA 8 m			FLY JIB SA 15 m		
UNDERCARRIAGE TRACK WIDTH		4.2 m	3.44 m	2.68 m	4.2 m	3.44 m	2.68 m
Ballast [t]	Under-carriage ballast [t]						
		360°	-	-	360°	-	-
		-	-	-	-	-	-
		-	-	-	-	-	-

OPTIONAL EQUIPMENT



Fly jib variants

FLY JIB 8 M

14.7 t load capacity, max. 2-strand, possible offset angles 0°/20°/40°

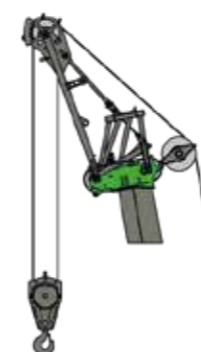
FLY JIB EXTENSION TO 15 M

8 m with 7 m extension, 5.7 t load capacity, max. 1-strand offset angle 0°/20°/40°



AUXILIARY JIB

7.2 t load capacity, 1-strand



HEAVY-DUTY JIB

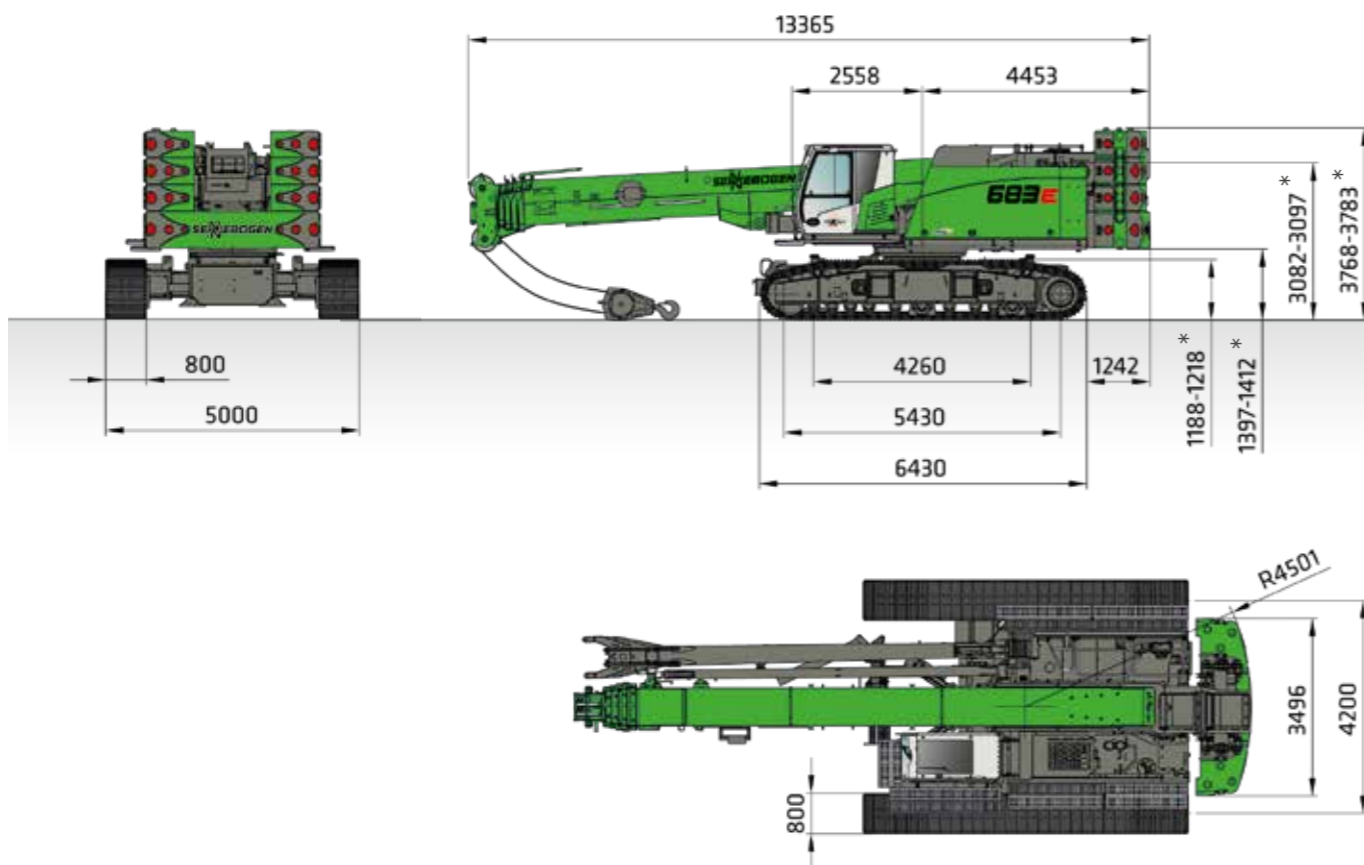
28.5 t load capacity, max. 4-strand, possible offset angles 0°/20°/40°

Notes:

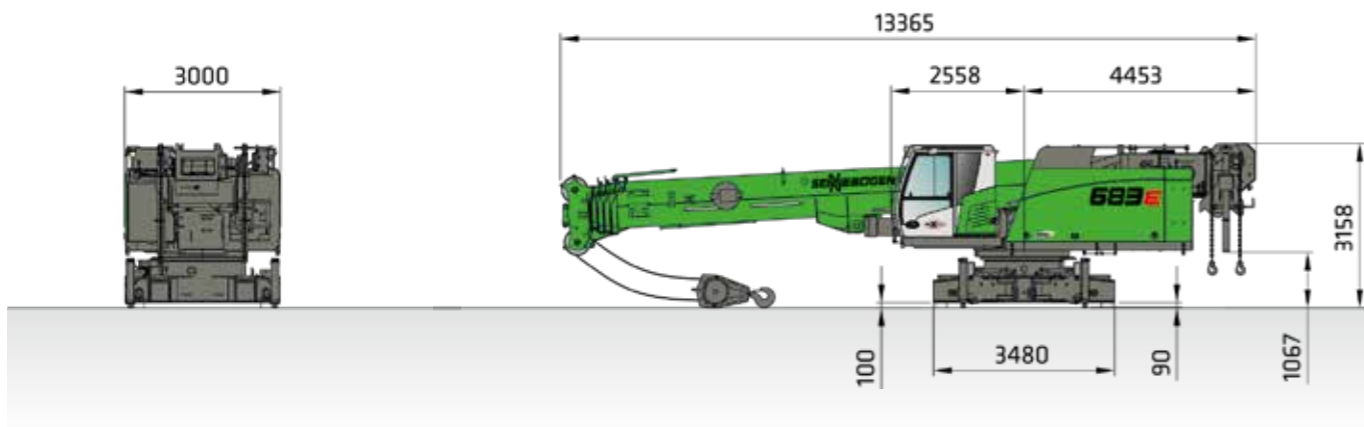
1. The weight of the load handling equipment (hooks, cable) should be deducted from the load ratings.
2. Load capacities must be limited or reduced in adverse conditions such as soft or uneven ground, slopes, wind, side loads, swinging loads, jolts or sudden stopping of loads, personnel and operators not experienced in handling loads.
3. Permissible cable pull per strand in crane mode for cable diameter 20 mm - 7200 kg.
4. The load ratings given are for reference only. Please refer to the tables in the operating instructions for the relevant applicable load ratings. Load capacities for inclines of 4° are also available on request.
5. The specifications on p. 20 for the reduction of the load capacity with the 15 m fly jib folded to the side apply to all HA charts. Capacity reductions for other equipment options should be requested separately.

TRANSPORT DIMENSIONS

i **Weight:** approx. 90.5 t (2 winches, 15 m fly boom, 50 t hook, 6 t central ballast, 28.3 t ballast)
Dimensions: 13.4 m x 3.5 m x 3.8 m

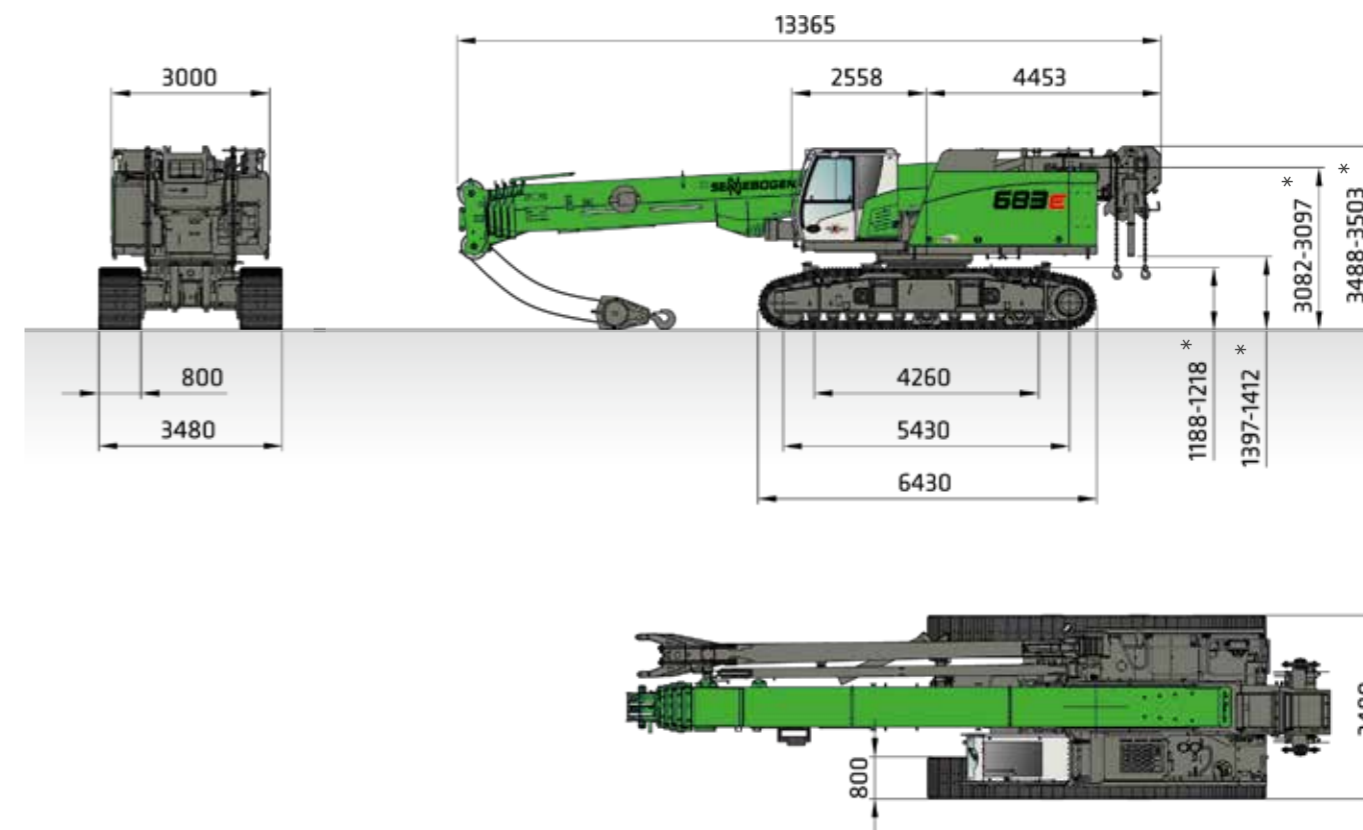


i **Weight:** approx. 37.0 t (2 winches, 15 m fly jib, 50 t hook, without ballast, without crawler tracks, without platform)
Dimensions: 13.4 m x 3.0 m x 3.2 m



TRANSPORT DIMENSIONS

i **Weight:** approx. 56.1 t (2 winches, 15 m fly jib, 50 t hook, without crawler tracks, without platform)
Dimensions: 13.4 m x 3.5 m x 3.5 m

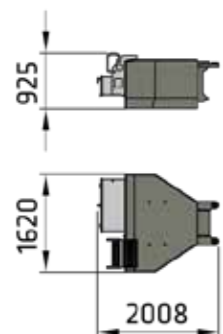


BASE PLATES	MIN. TRANSPORT WIDTH
800 mm	3480 mm
900 mm	3580 mm

Dimensions in [mm]

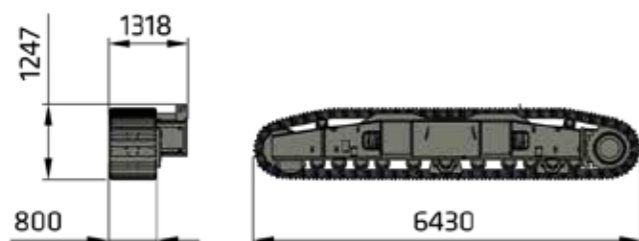
TRANSPORT DIMENSIONS

CENTRAL BALLAST 2 X



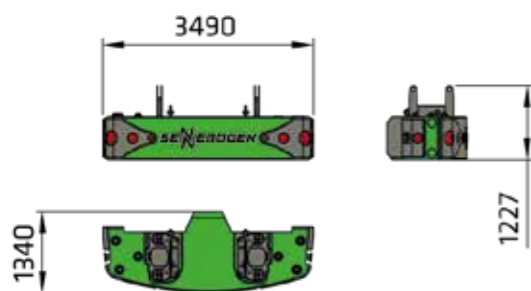
i **Weight:**
3000 kg each

CRAWLER 2 X



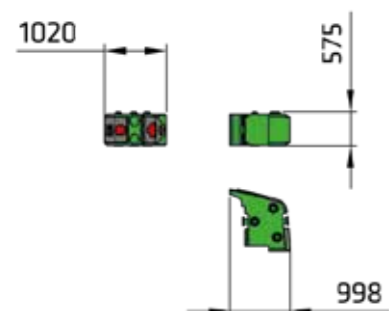
i **Weight:**
9790 kg (800 mm / triple grouser)
10660 kg (800 mm / flat)
10140 kg (900 mm/triple grouser)
11090 kg (900 mm / flat)

BALLAST BASE PLATE



i **Weight:** 14900 kg

BALLAST PLATE 4 X

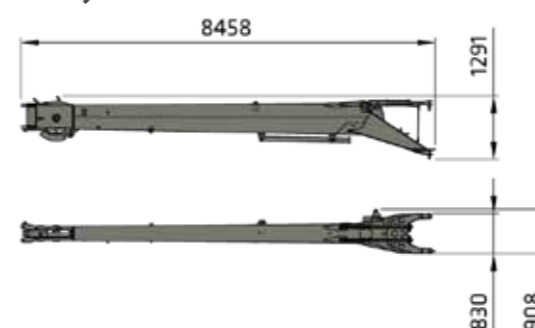


i **Weight:** 2250 kg each

Dimensions in [mm]

TRANSPORT DIMENSIONS

FLY JIB 8 m SA80.2



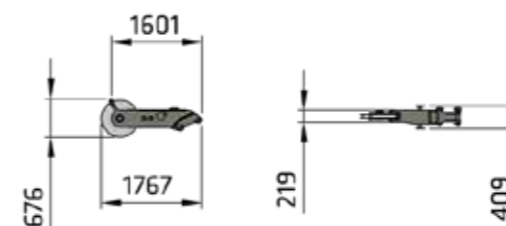
i **Weight:** 920 kg

FLY JIB EXTENSION 7 m SAV70.2



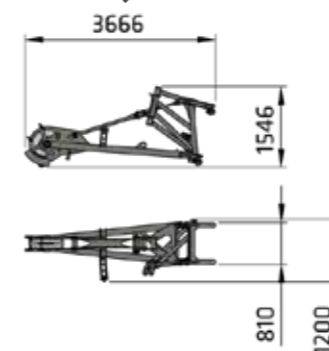
i **Weight:** 300 kg

AUXILIARY JIB S7.2



i **Weight:** 160 kg

HEAVY-DUTY JIB S28

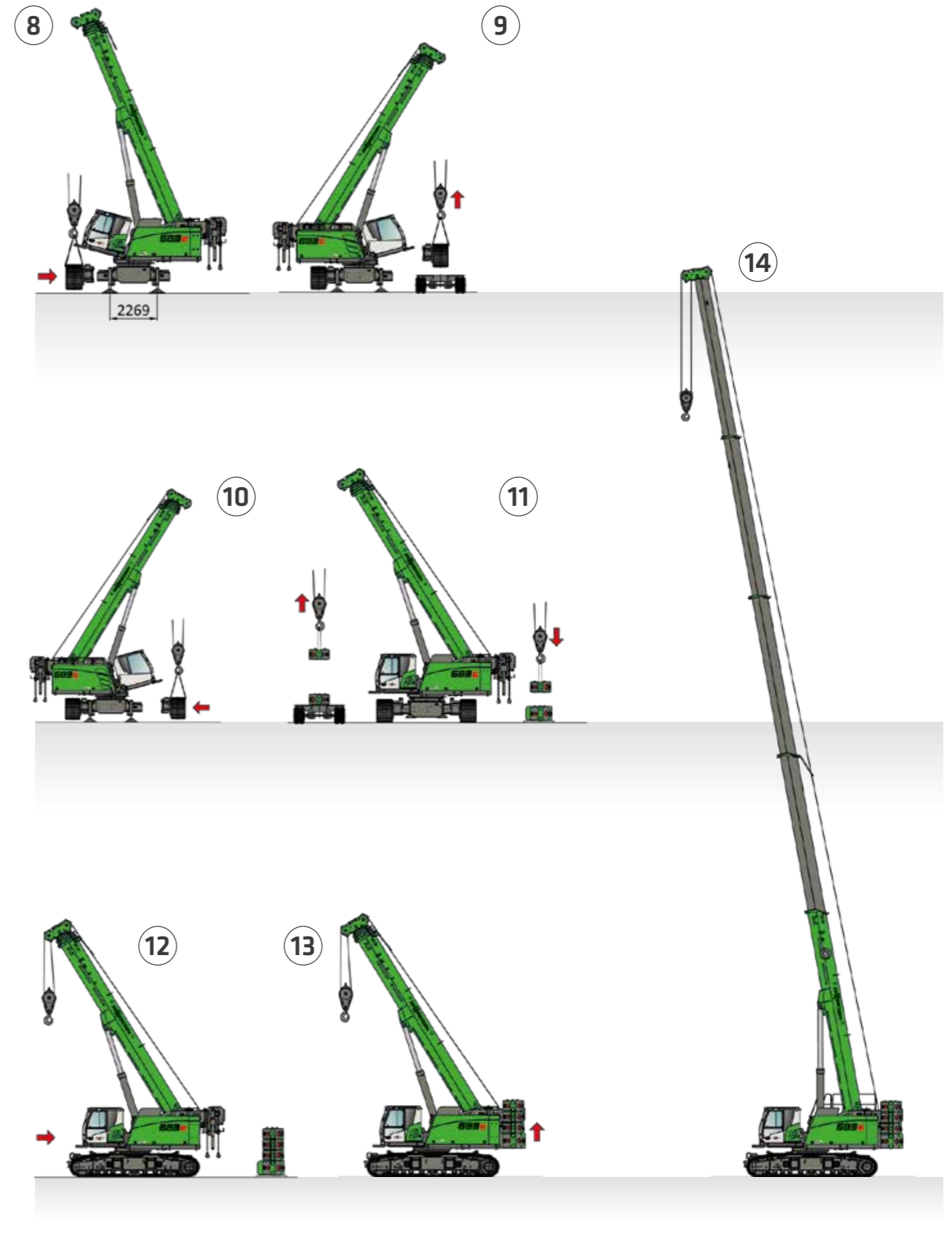
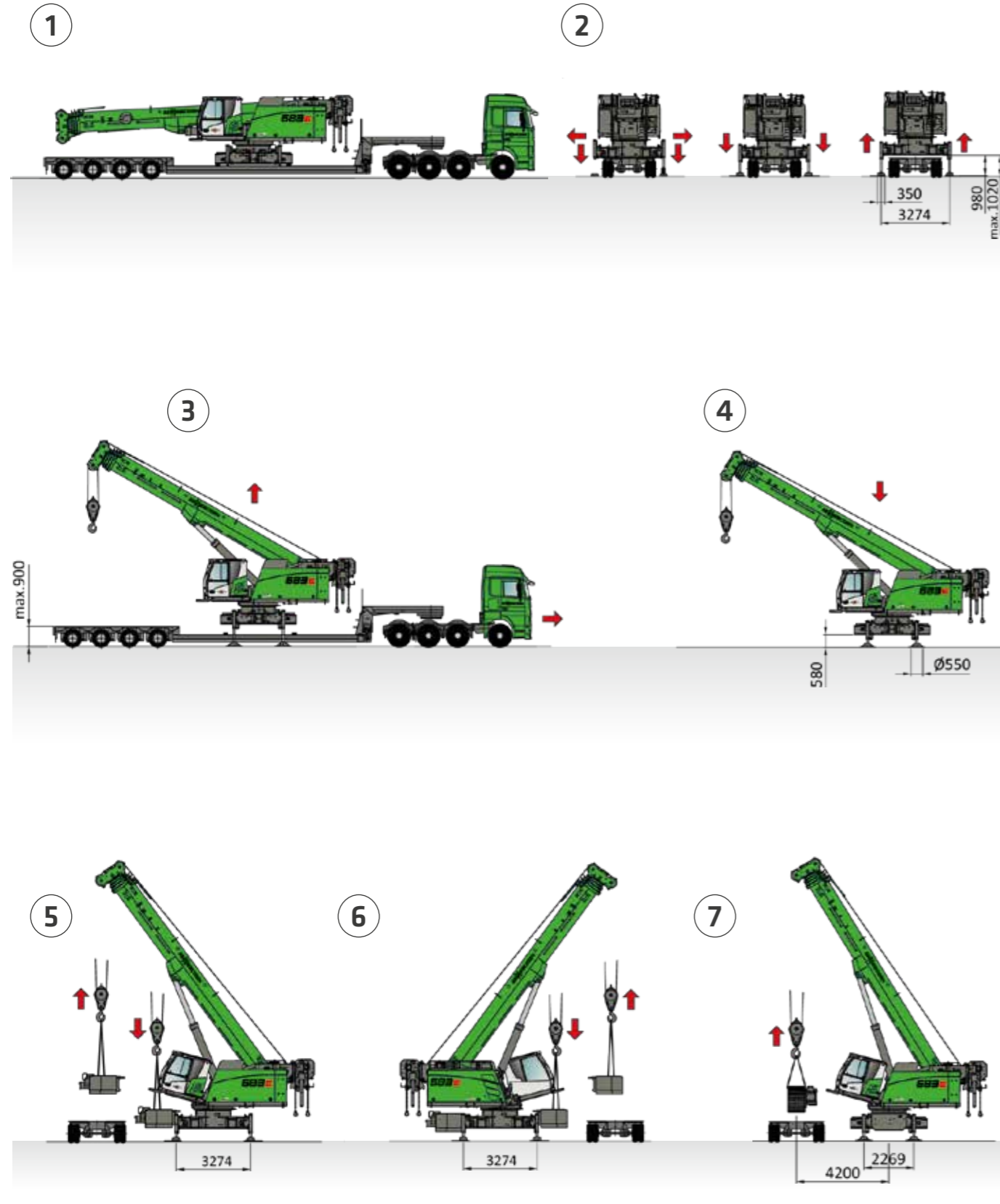


i **Weight:** approx. 700 kg

Dimensions in [mm]

SELF-ASSEMBLY SYSTEM WITH REMOVED CRAWLER TRACKS

i Transport width: 3.0 m



SELF-ASSEMBLY SYSTEM

SELF-ASSEMBLY SYSTEM

SELF-ASSEMBLY SYSTEM WITH MOUNTED CRAWLER TRACKS

i Transport width: 3.5 m

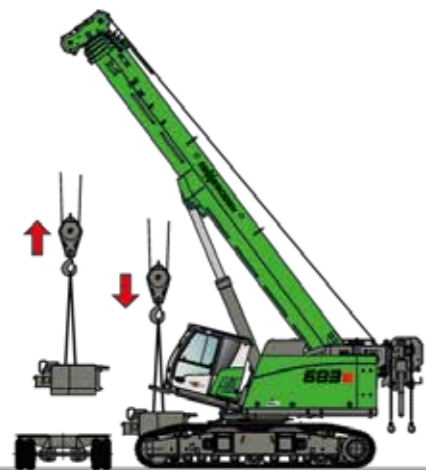
1



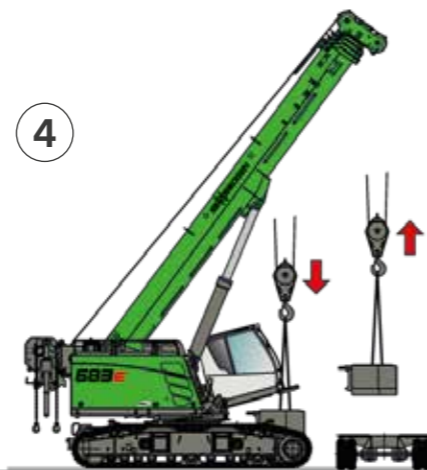
2



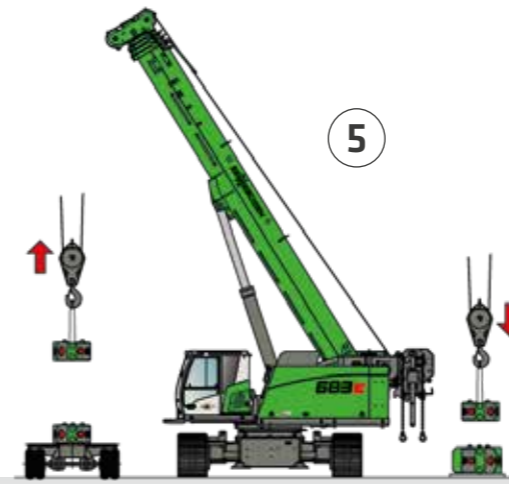
3



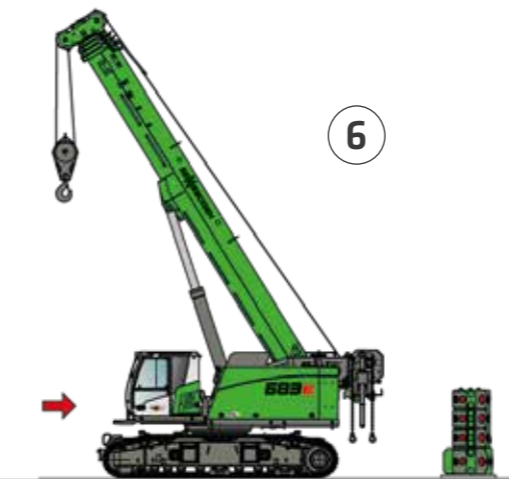
4



5



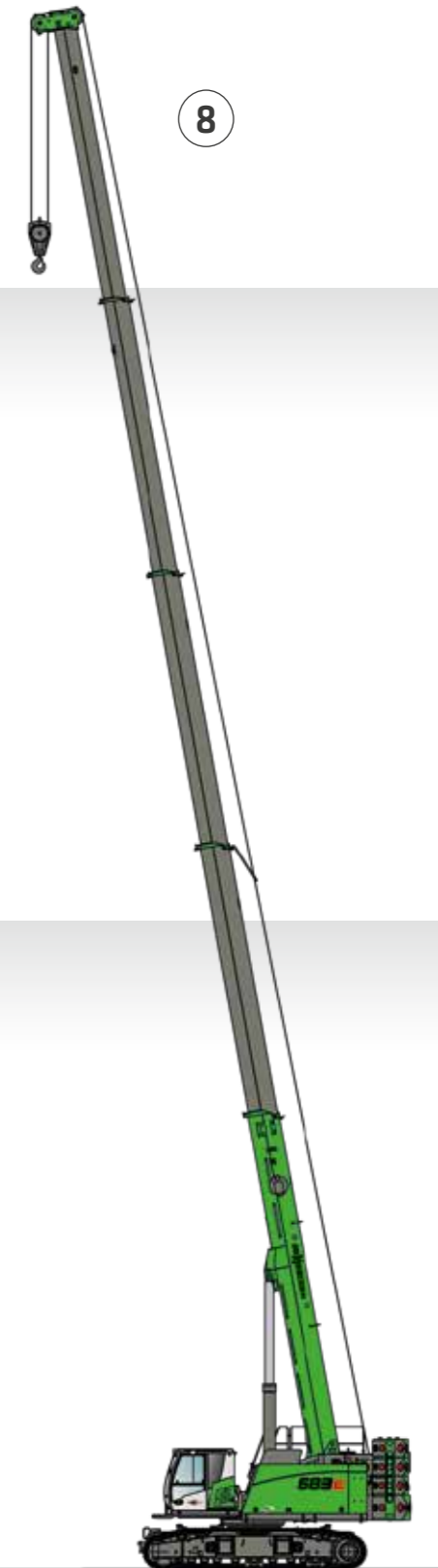
6



7



8



SELF-ASSEMBLY SYSTEM

SELF-ASSEMBLY SYSTEM



www.sennebogen.com/683



Construction of a gas pipeline, Italy



SENNEBOGEN ACADEMY

Increase your knowledge because success is based on knowledge. In the SENNEBOGEN ACADEMY we place great importance on ensuring it flows powerfully.
 → www.sennebogen-academy.com



SERVICE AND MAINTENANCE

Comprehensive customer service. And supply of spare parts. Service is a TOP priority for us.
 → www.sennebogen.com/customer-service



SENtrack

Efficient fleet management with SENtrack: Use information that would otherwise stay hidden and increase your efficiency.
 → www.sennebogen.com/sentrack



RENTAL & USED

Discover the unique range of rental machines available from SENNEBOGEN Rental & Used. Find your rental machine here:
 → www.sennebogen-rental-used.com



MOVE BIG THINGS - WITH US!

over **71** years of experience

100% family company

over **2200** experienced specialists worldwide

5 production plants in Germany

over **180** sales and service partners worldwide

12 different telescopic cranes



Telehandler 4-5.5 t	Balancer 130-300 t	Material handler 17-420 t	Duty cycle crane 13.5-300 t	Crawler crane 50-300 t	Telescopic crane 16-130 t	Port crane 300 t
------------------------	-----------------------	------------------------------	--------------------------------	---------------------------	------------------------------	---------------------

JOIN OUR OPERATORS' CLUB

The spotlight is on you and your machine! We focus on exclusive information, sharing experiences with other SENNEBOGEN operators as well as fun and enthusiasm.

All benefits here → www.sennebogen.com/operators-club



683E | Crawler

Order no. 404857
683R-E-082310

This catalog describes machine models, the scope of equipment of individual models, and configuration options (standard equipment and optional equipment) of the machines delivered by SENNEBOGEN Maschinenfabrik GmbH. Machine illustrations may contain optional and supplementary equipment. Actual equipment may vary depending on the country to which the machines are delivered, especially in regard to standard and optional equipment. All product designations used may be trademarks of SENNEBOGEN Maschinenfabrik GmbH or other supplying companies, and any use by third parties for their own purposes may violate the rights of the owners.

Please contact your local SENNEBOGEN sales partner for information concerning the equipment variants offered. Requested performance characteristics are only binding if they are expressly stipulated upon conclusion of the contract. Delivery options and technical features are subject to change. All information is supplied without liability. Equipment is subject to change, and rights of advancement are reserved. © SENNEBOGEN Maschinenfabrik GmbH, Straubing, Germany. Reproduction in whole or in part only with written consent of SENNEBOGEN Maschinenfabrik GmbH, Straubing, Germany.

SENNEBOGEN
Maschinenfabrik GmbH
Hebbelstraße 30
94315 Straubing, Germany

 www.sennebogen.com

MOVE BIG THINGS

SALES SENNEBOGEN

Sales Crane Line

 +49 (0) 9421 540 - 146

 cranes@sennebogen.de

SPARE PARTS CENTER

Spare parts orders

 spareparts@sennebogen.de

AFTER SALES

Technical support

 service@sennebogen.de

