

## Making operators and their environment safe

Manitou is committed to designing machines that provide optimum safety.

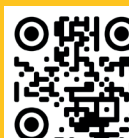
- **Parking brake**  
Automatic parking brake with hill start assist to prevent accidents.
- **Joystick with driver presence detection**  
Equipped with a sensor, it automatically detects the presence of the driver to allow movement and reduces the risk of accidents. Works with gloves and in dusty environments.
- **Intuitive and intelligent dashboard**  
All controls are within easy reach, identified with pictograms and colour codes. The operator is alerted to its maintenance, use and safety by means of prioritised notifications.
- **"Easy Step" access to the driver's seat**  
The access to the driver's platform has been completely redesigned. The anti-slip step makes getting in and out of the vehicle even easier, reducing fatigue and the risk of falls.
- **Tilt adjustment**  
Standard system from 11m upwards for safe handling on slopes on all terrains.
- **Tilt lock**  
Tilt lock for safe handling.
- **Orange belt**  
Visible belt to empower the operator and inform the working environment.

### SAFETY PACK

Device that accompanies and protects the driver. He is informed in real time of any manoeuvre that may expose him to a risk. It simultaneously warns the teams on the site of an operator's inappropriate behaviour and sends the information to the fleet manager. A simple tool for acquiring good reflexes.

### Simplified user's guide Videos

Reduce Risks helps you to use your machines safely



“  
« As a construction worker, I am looking for versatile, cost-effective and safe machines that allow me to optimise my site operations. »

Your dealer



Scan and find out more information on [manitou.com](http://manitou.com)

**MANITOU**  
HANDLING YOUR WORLD

This publication describes the versions and configuration possibilities of Manitou products which may differ in equipment. The equipment shown in this brochure may be standard, optional or not available depending on the version. Manitou reserves the right to change the specifications described and shown at any time without notice. The specifications shown are not binding on the manufacturer. For more details, contact your Manitou dealer. Non contractual document. Presentation and visuals of products are not contractual. The logos and visual identity of the company are the property of Manitou and may not be used without permission. All rights reserved. The photos and diagrams contained in this brochure are provided for reference purposes only. Manitou BF SA - Public limited company with a Board of Directors - Share capital: 39,547,824 euros - 857 802 508 RCS Nantes  
Manitou ©Adobe stock

**RANGE**  
**MT**  
7/9/11/13 meters  
Middle lift



Scan and find out more information on [manitou.com](http://manitou.com)

**MANITOU**  
HANDLING YOUR WORLD



## Manitou is committed to reducing your total cost of ownership (TCO)

All our efforts are focused on creating machines that are efficient, durable and easy to maintain.

### STOP & START

Thanks to the Stop & Start feature, which automatically switches off the engine when stationary, reducing your fuel consumption, noise level, CO2 and emissions. Fewer hours on the clock, longer maintenance intervals and a restart without turning the key.

### Eco mode to reduce your consumption

The engine speed is optimised while ensuring high performance. Fuel consumption and noise levels are significantly reduced.

### Quick and easy maintenance

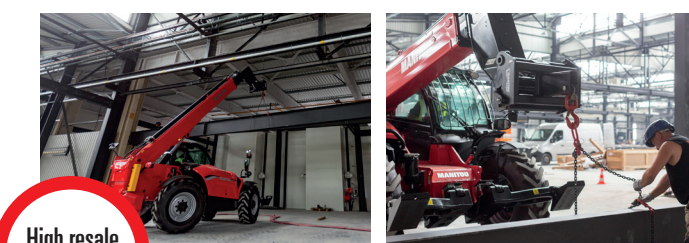
Centralized lubrication, easy access to the machine core and consumables for efficient maintenance.

### Predisposition Reviv'oil

Filtering the hydraulic oil during each preventive maintenance reduces the risk of breakdowns and the associated costs.

### Tough as nails

A robust range to take you through any situation. With a heavy-duty cab and engine cover set back from the wheels, set back from the wheels and protected hoses, your Manitou is built to last.



High resale value!

## Connected solution

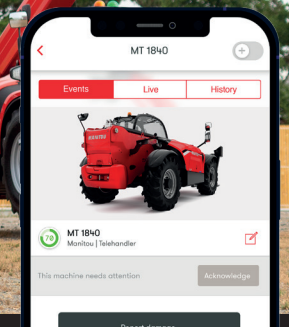
With connectivity, your telescopic handler has something extra.

- **Increase productivity**  
Manage your fleet remotely and benefit from a multitude of information accessible on your PC, tablet or smartphone.
- **Anticipate maintenance**  
Save time : share your alerts directly with the technician to anticipate parts and reduce the time needed to intervene. With a maintenance contract you are assured of a reliable and irreplaceable service.
- **Analyse performance**  
Visualise the performance of your machines on graphs, easy to follow and interpret.
- **Work with peace of mind**  
Stay in control of your budget with a tailored warranty extension, and benefit from a tailor-made financing solution.

### Protect your equipment and control access

Optionally, manage operator authorisation and control access to your machines to guarantee their safety and that of the workplace.

All our telescopic handlers are connected



## Productivity and profitability first and foremost

Because performance is at the heart of your concerns, our telescopic forklifts offer you features and a choice of transmissions adapted to your environment.



The autopower function automatically adjusts the engine speed according to the movement of the joystick by the driver's hand, making the movements easier for the operator.  
(\*only available on hydrostatic versions)

Fast, combined hydraulic movements thanks to the flow sharing valve\* combined with the variable displacement pump for more efficient work while reducing your consumption.





from **7 m to 13 m** max. working Height

**3,5 t** max. Capacity.

**2,28 m** Width

Movements  
**Hydraulics**  
accumulated

**Oscillating**  
Rear axle

**3 Steering**  
modes



2 WHEELS STEERING  
4 WHEELS STEERING  
MODE CRABE

**Cost of transport reduced**

Optimal dimensions for safe loading and unloading and safe transport.

**2.28 m width**

Enjoy a range that is suitable for container loading without the need to remove wheels.

**SLINGING/STOWING**

Identified and accessible at the front and rear. 1-point slinging machine.

**FLOATING FORK CARRIAGE**

Forks fold back for safe travel.



**A range of all terrain**  
With a ground clearance of 42.5cm and 4-wheel drive, you can overcome any obstacle. The oscillating rear axle ensures maximum grip and stability in all weather conditions.

**The right model for you!**  
Each telescopic handler has a consistent engine (75hp/100hp) benefitting from the best torque for maximum efficiency and minimum consumption.

Also choose the transmission (hydrostatic / torque converter) adapted to your needs, combining flexibility and working precision.

*\*depending on model*



**Intuitive & universal display**  
Available in 22 languages



**Exceptional visibility**  
Meticulously fitted roof louvre angles



**Easy Step access**  
Safety & ergonomics

**Simplified use sheets**  
Available in every machine

**Front cut-out of the windscreen**  
Easy attachment change  
View your load in the down position

**Redesigned panoramic visibility**  
Enjoy a clear view of your load from any position

**Curved rear window**  
For a better view of your environment



**Tilt adjustment**  
(\*11 & 13m)  
Secure your handling, all terrain

Repairable engine cover, Highly resistant to shock and vibration

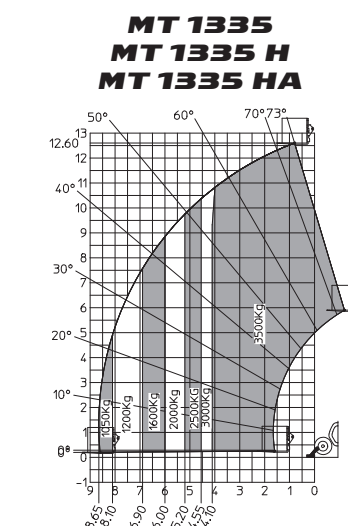
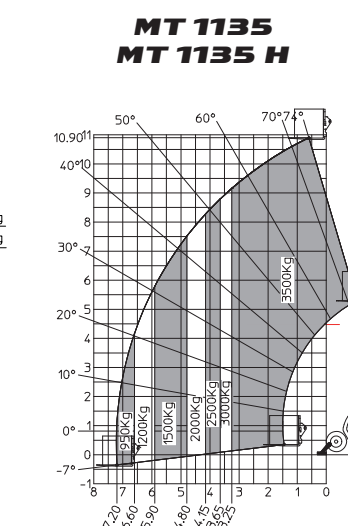
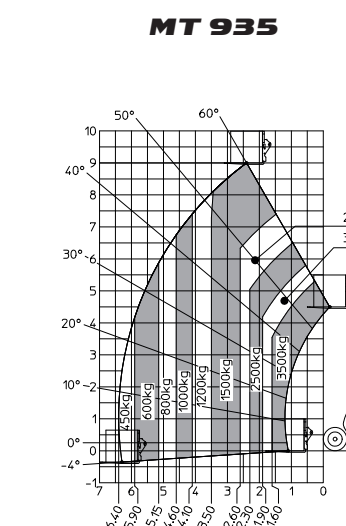
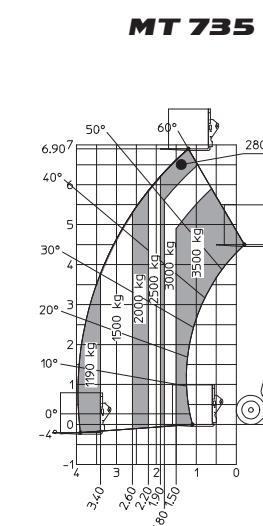
**Stabilizers front-mounted compact**  
In the machine width for working in cramped environments

**Ground clearance 42.5 cm**  
High off-road performance

**Automatic parking brake**

**Why choose the MT range middle lift?**

Enjoy the combination of optimised dimensions and all-terrain performance that will facilitate your access to a variety of job sites. Benefit from Manitou's many innovations for enhanced safety. A true tool carrier with a wide range of attachments, discover a unique versatility on the market to cover all your applications. Designed to last, these machines will be your best asset! The perfect alliance between profitability, safety and reduction of your TCO !



|                                     | MT 735           | MT 935           | MT 1135          | MT 1135 H        | MT 1335                            | MT 1335 H                          | MT 1335 HA                         |
|-------------------------------------|------------------|------------------|------------------|------------------|------------------------------------|------------------------------------|------------------------------------|
| Capacity max. (kg)                  | 3500             | 3500             | 3500             | 3500             | 3500                               | 3500                               | 3500                               |
| Forward Reach (m)                   | 4                | 6.40             | 7.20             | 7.20             | 8.65                               | 8.65                               | 8.65                               |
| Lifting height max. (m)             | 6.90             | 9                | 10.9             | 10.9             | 12.60                              | 12.60                              | 12.60                              |
| Engine standard                     | STAGE V          | STAGE V          | STAGE V          | STAGE V          | STAGE V                            | STAGE V                            | STAGE V                            |
| Power CH (kW)                       | 75 ch / 55.4 kW  | 75 ch / 55.4 kW  | 75 ch / 55.4 kW  | 100 ch / 74.4 kW | 75 ch / 55.4 kW / 100 ch / 74.4 kW | 75 ch / 55.4 kW / 100 ch / 74.4 kW | 75 ch / 55.4 kW / 100 ch / 74.4 kW |
| Travel speed max. (km/h)            | 24.9             | 24.9             | 24.9             | 24.9             | 24.9                               | 24.9                               | 24.9                               |
| Transmission                        | Torque converter | Torque converter | Torque converter | Hydrostatic      | Torque converter                   | Hydrostatic                        | Hydrostatic                        |
| Empty weight (with forks) (kg)      | 6930             | 7800             | 9360             | 9360             | 9470 (75 ch) / 9660 (100 ch)       | 9470 (75 ch) / 9660 (100 ch)       | 9470 (75 ch) / 9660 (100 ch)       |
| Overall Width (m)                   | 2.28             | 2.28             | 2.28             | 2.28             | 2.28                               | 2.28                               | 2.28                               |
| Overall height (m) (without beacon) | 2.48             | 2.48             | 2.48             | 2.48             | 2.48                               | 2.48                               | 2.48                               |
| Overall Length (m)                  | 4.78             | 4.78             | 5.72             | 5.72             | 5.72                               | 5.72                               | 5.72                               |
| Ground clearance (cm)               | 42.5             | 42.5             | 42.5             | 42.5             | 42.5                               | 42.5                               | 42.5                               |
| External turning radius (m)         | 3.78             | 3.78             | 3.78             | 3.78             | 3.78                               | 3.78                               | 3.78                               |
| Basket option                       | /                | /                | /                | /                | /                                  | /                                  | yes                                |

**Performance and versatility at the service of your daily life**

Manitou telescopic handlers are real tool carriers on which you can easily connect, the Manitou approved attachment specifically adapted to your application.

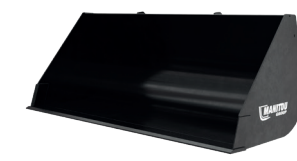
**Floating fork carriage**

The essential attachment for handling palletised loads. Forks fold down for easy transport and road travel.



**Recovery bucket**

This bucket is dedicated to all construction applications to move bulk material with a maximum density of 2100kg/m3. The dumping and digging angle is specially designed for our machines.



**Fixed basket**

Simple and safe attachment for lifting up to 3 people or 365kg maximum. Only available on Access versions.



**Material basket**

An efficient and cost-effective solution for moving materials safely in all types of applications, environments and weather conditions. An excellent lift!



**Jib Extension**

Jib crane dedicated to suspended loads (beams, structural elements, etc.) It's design makes it possible to reach tight places and increase the truck's reach.



**Winch**

Perfect for moving vertically suspended loads as a mobile or tower crane.



**SIDESHIFT CARRIAGE**

Lateral movement of the forks when placing or removing loads.

**ECS : EASY CONNECT SYSTEM**

As standard, this system allows the hydraulic line to be decompressed in seconds, to allow the simple and quick change of hydraulic attachment.

**HYDRAULIC LOCK**

Optional hydraulic lock allows a non-hydraulic attachment to be changed and secured without leaving the machine. **REMOTE BUTTON FOR DHW** Yellow button on the headlamp for use from the outside.

**A tailor-made solution adapted to your needs**

Discover a wide range of options available. Speak with your local Manitou dealer.



**Boom suspension**  
Absorption of unwanted boom movements when driving with or without load. Less strain on components, safety and comfort guaranteed.

*\* Comfort Ride Control (CRC)*



**Fast speed options**  
Boost your performance and travel on the road. *(\*depending on the model)*



**Rear Impact Camera or Radar**  
Maximise your safety on site with our systems.

**2 possible finishes**  
to meet your needs.

**Standard**

**Comfort**